

## DESCRIPTION

The PT2466 is a monolith integrated motor driver designed for gauge valves control, toy or power electronic locks. The overall performance is optimized for low supply voltage, battery-powered applications.

The superior low switches resistance (RDSon) minimized the power dissipates, therefore a small DFN and SOP-8 package is available for high current output, to prevent un-determinates miss operation, overall protections function was integrated such like over-current, under-voltage lockout and over temperature protection.

## APPLICATION

- Gauge valves
- Motor powered lenses
- Electronic locks
- Toys
- Robotics

## FEATURE

- Single H-bridge driver could drive DC brushed Motor or solenoid loads.
- 1.8 Amps maximum DC output current
- Low power switches resistance:  
0.28Ω, high and low side both
- Dual supply power supply:
  - For control logic (VCC) : 1.8V ~ 6V
  - For motor drives ( VM ) : 0 to 12V
- Low power shutdown mode:
  - Less than 10nA on all supply rail.
- Small Footprint Package
  - 8-Pin DFN with Thermal PAD (2.0 X 2.0 mm)
  - 8-Pin SOP
- Fully protection function includes VCC under voltage lockout (UVLO), over current protection and thermal shutdown.

## BLOCK DIAGRAM

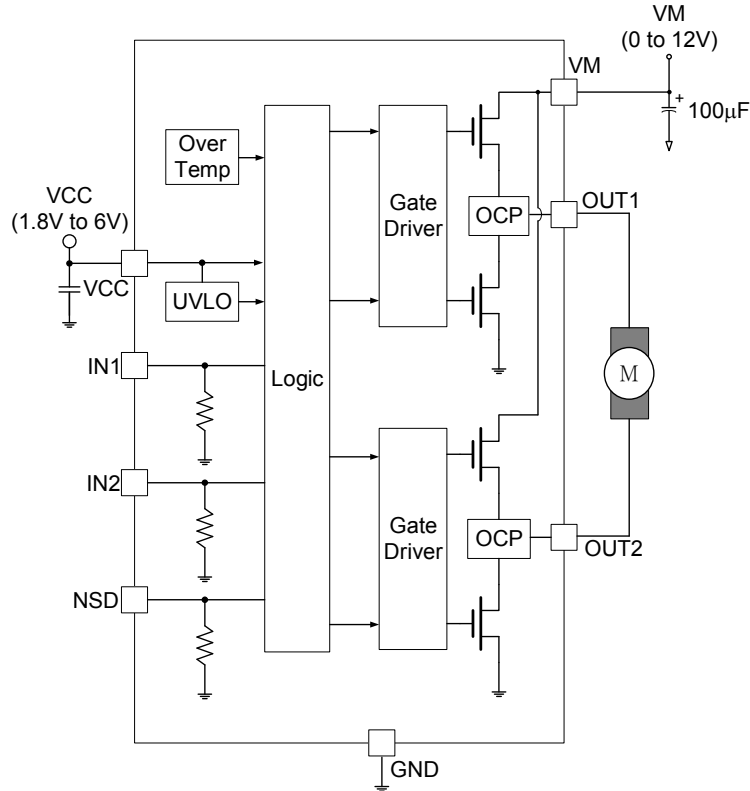


Figure 1. Function Block Diagram

# APPLICATION CIRCUIT

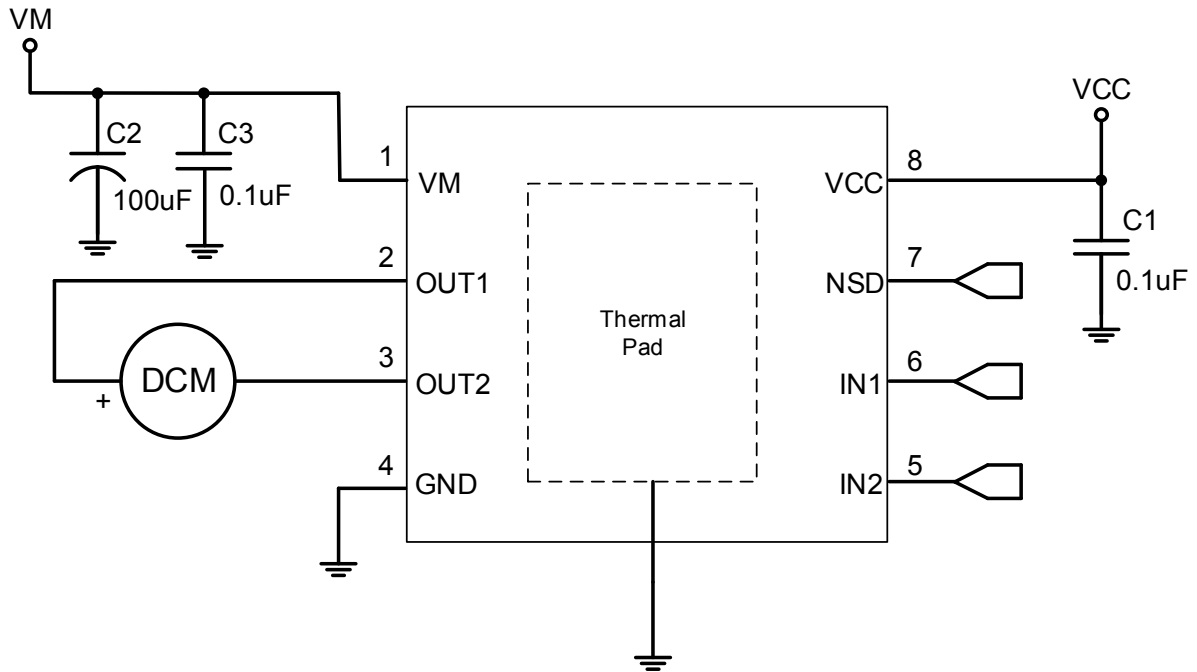


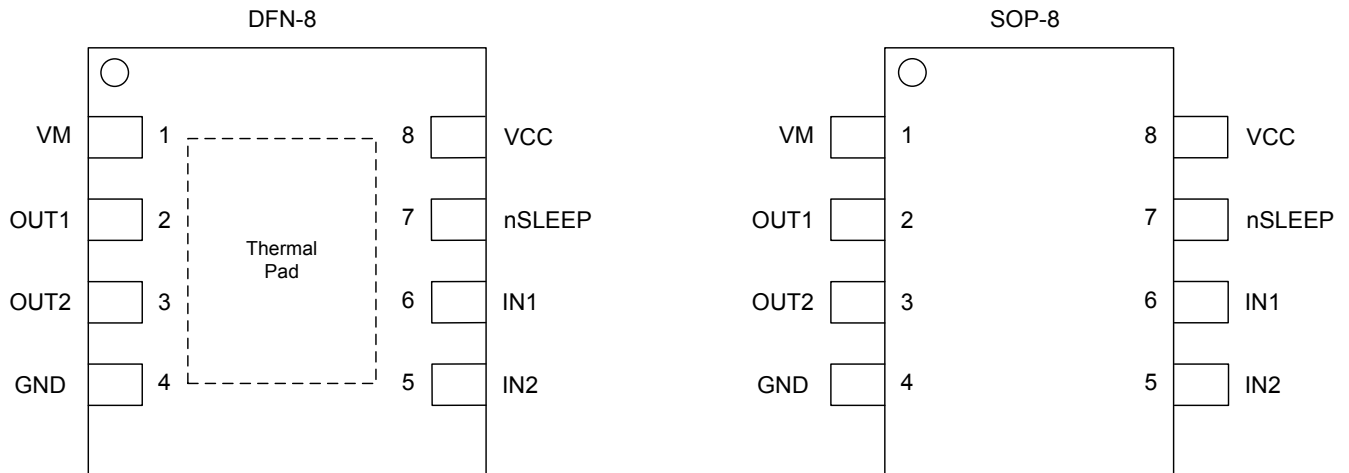
Figure 2. Schematic of Application

(Please refer to page 5 for bypass capacitor and PCB layout recommendation.)

## ORDER INFORMATION

Valid Part Number	Package Type	Top Code
PT2466-S	8-PIN, SOP, 150 MIL	PT2466-S
PT2466	8-PIN, DFN	2466

## PIN DESCRIPTION



Pin Name	I/O	Description	Pin No.
VM	POWER	Power supply for motor drives	1
OUT1	OUTPUT	H-bridge output 1	2
OUT2	OUTPUT	H-bridge output 2	3
GND	POWER	Ground	4
IN2	INPUT	Control logic input 2	5
IN1	INPUT	Control logic input 1	6
NSD	INPUT	Shutdown control input	7
VCC	POWER	Power supply for control logic	8