

## DESCRIPTION

The PT2469 is a monolith integrated motor driver designed for printers, scanners, and home and office automated equipment. The two H-bridge drivers can drive a bipolar stepper motor or two DC motors. The output H-bridge driver is consists by all of N-channel MOSFET. The PT2469 is allows driving up to 1.6A maximum output current (VM=24 V, Ta=25°C).

An EN-PH type parallel logic control interface can be configuring the output switches ON-OFF of H-bridge, and motor current decay mode is also programming by the parallel input port.

The PT2469 is available in a 28-pin HTSSOP package with thermal pad and in a 28-pin QFN package thermal pad.

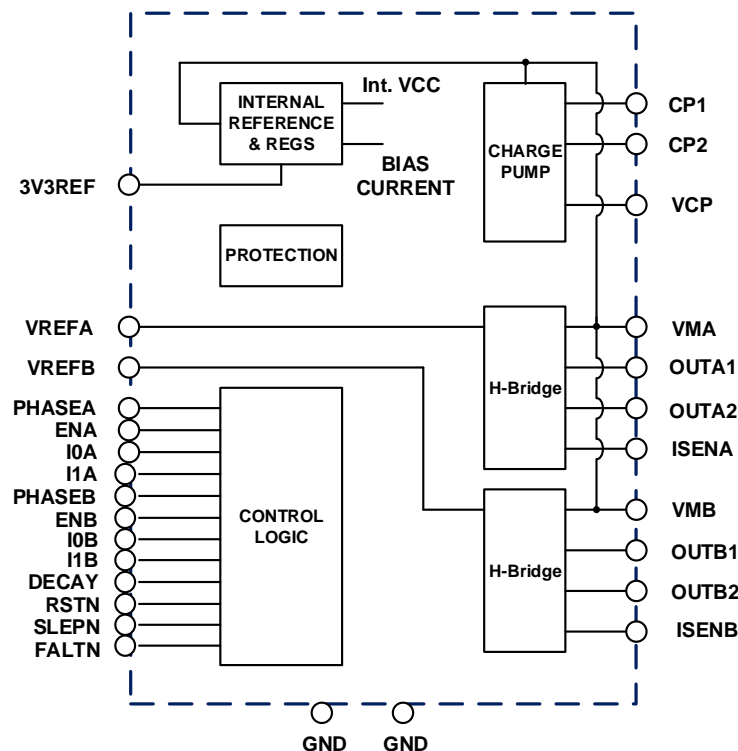
## APPLICATIONS

- Automatic Teller Machines
- Video Security Cameras
- Printers
- Scanners
- Office Automation Machines
- Amusement Machines
- Factory Automation
- Robotics

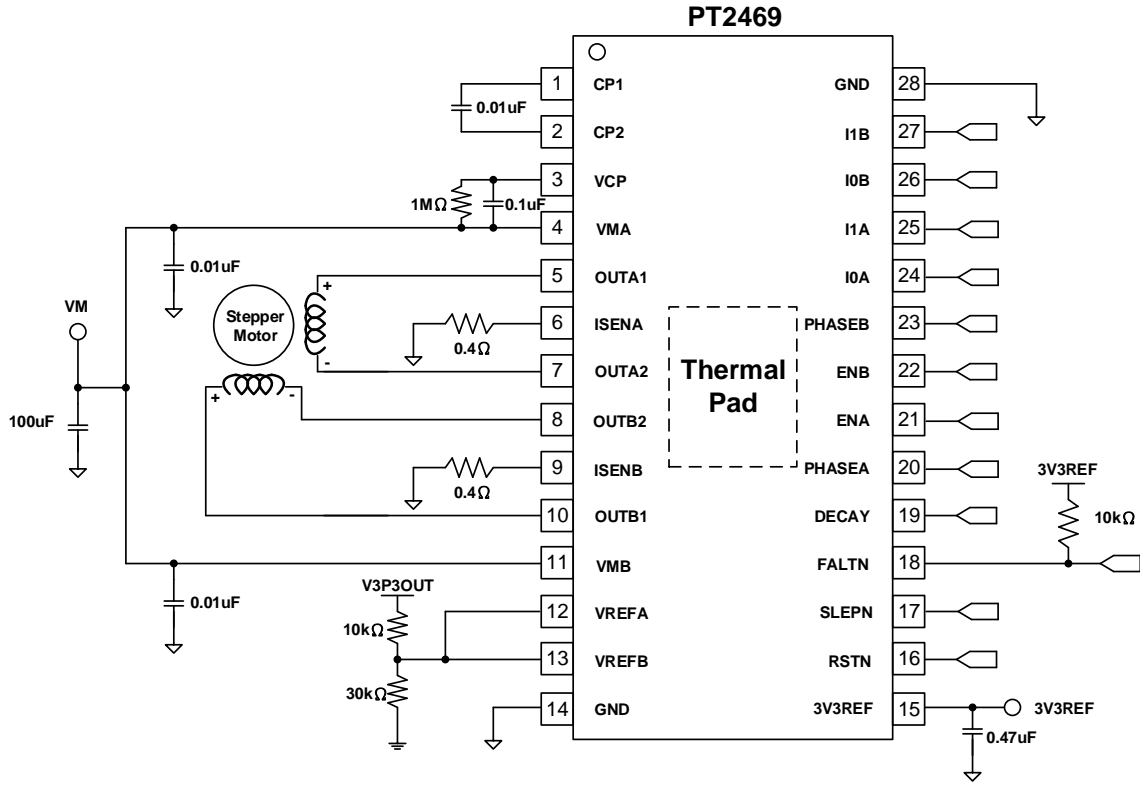
## FEATURES

- 8.2-V to 45-V Supply Voltage Range
- 1.6-A Maximum Driving Current at VM=24V (with additional heatsink)
- EN-PH Control Logic Interface
- Dual H-Bridge Driver with 4 Level PWM Current Control.
- Winding Current Decay Modes
  - Mixed Decay
  - Slow Decay
  - Fast Decay
- Drives Single Bipolar Stepping Motor or Dual DC Motors
- Built In a 3.3V Reference Voltage Output
- Low-Power Sleep Mode
- Protection Features
  - Over Current Protection (OCP)
  - Thermal Shutdown (TSD)
  - VM Under Voltage Lock Out (UVLO)
  - Fault Indication Pin (FAULTN)

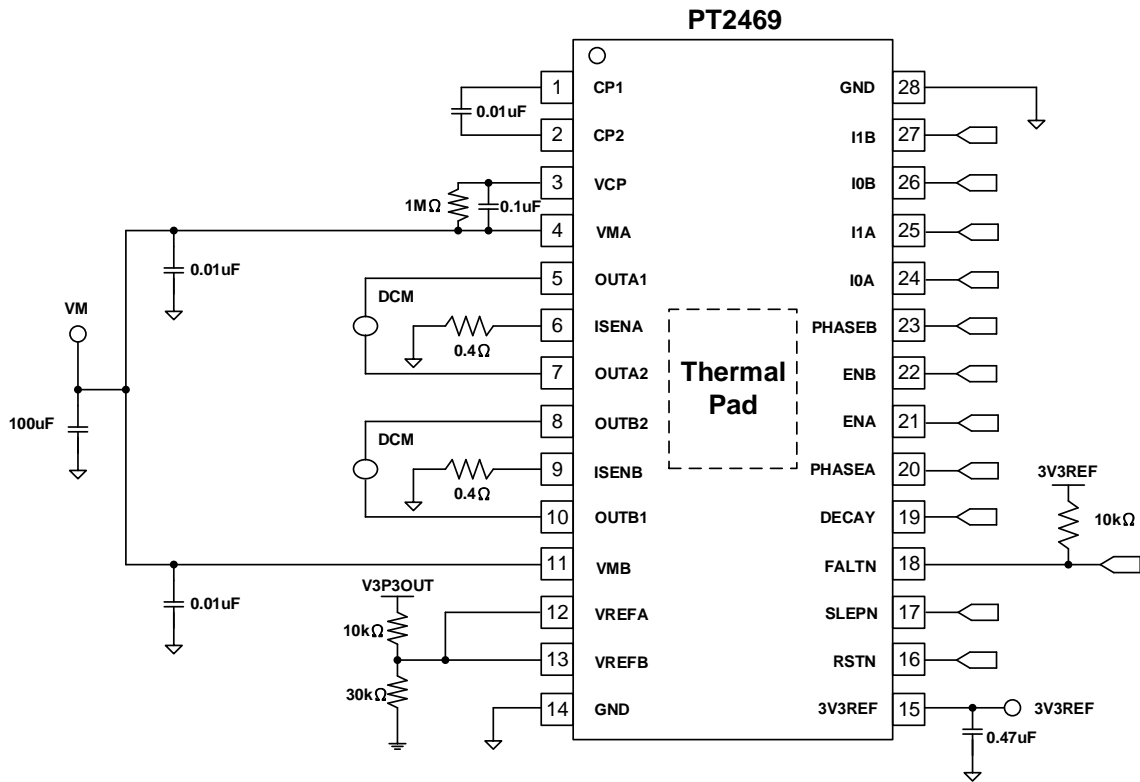
## BLOCK DIAGRAM



# APPLICATION CIRCUIT



Drives a bipolar stepping motor



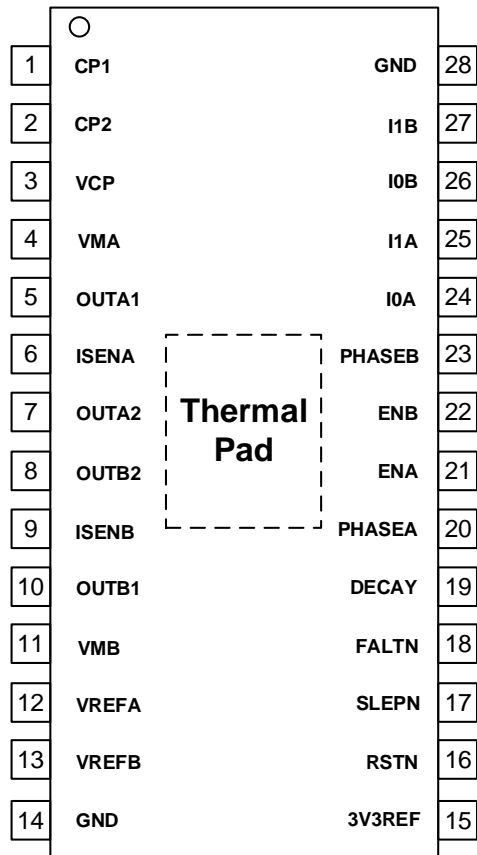
Drives two DC brushed motor

## ORDER INFORMATION

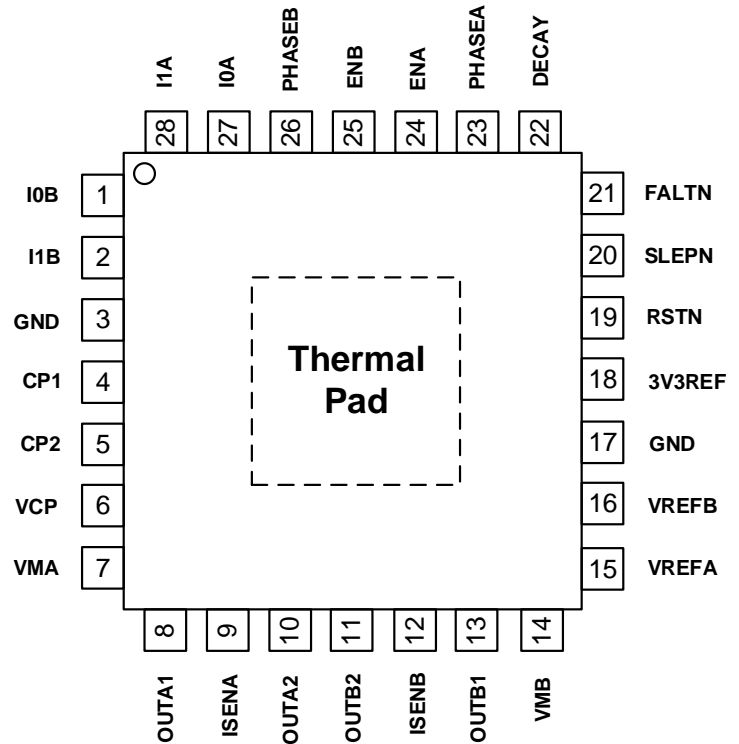
Valid Part Number	Package Type	Top Code
PT2469-HT	28 Pins, HTSSOP	PT2469-HT
PT2469	28 Pins, QFN	PT2469

## PIN CONFIGURATION

HTSSOP



QFN



## **IMPORTANT NOTICE**

Princeton Technology Corporation (PTC) reserves the right to make corrections, modifications, enhancements, improvements, and other changes to its products and to discontinue any product without notice at any time.

PTC cannot assume responsibility for use of any circuitry other than circuitry entirely embodied in a PTC product. No circuit patent licenses are implied.

Princeton Technology Corp.  
2F, 233-1, Baociao Road,  
Sindian Dist., New Taipei City 23145, Taiwan  
Tel : 886-2-66296288  
Fax: 886-2-29174598  
<http://www.princeton.com.tw>