



DESCRIPTION

The PT4301 is a very low power and highly sensitive single chip OOK/ASK super-heterodyne receiver for the 315MHz and 434MHz frequency bands that offers a high level of integration and requires only a few external components. The PT4301 consists of a low-noise amplifier (LNA), an image-rejection mixer, an on-chip phase-locked loop (PLL) with integrated voltage-controlled oscillator (VCO) and loop filter, a 10.7MHz intermediate frequency (IF) limiting amplifier stage with received-signal-strength indicator (RSSI), and analog baseband data recovery circuitry (data filter, peak detector, and data slicer). The PT4301 also implements a discrete one-step automatic gain control (AGC) that reduces the LNA gain by 20dB when the RF input signal is greater than -47dBm. The PT4301 is available in a 24-pin SSOP package.

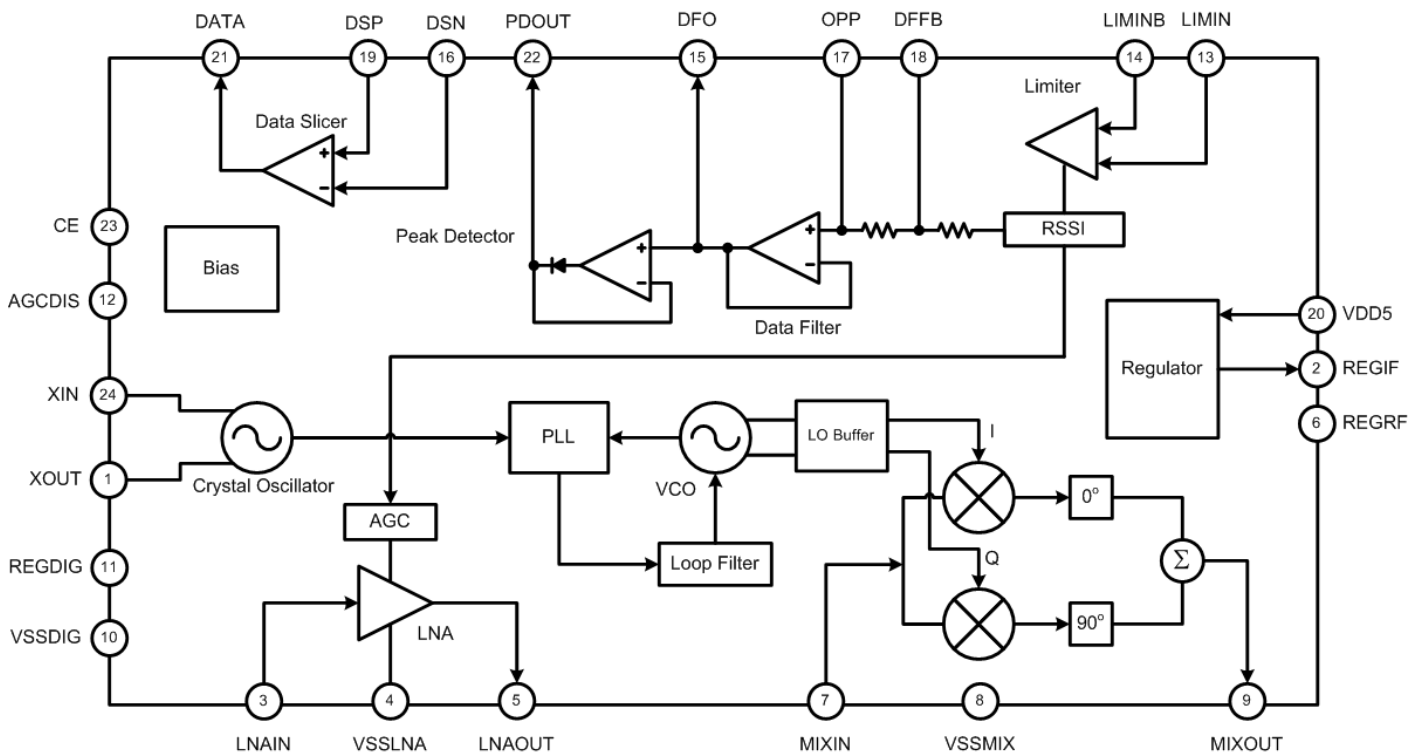
FEATURES

- Low current consumption (5mA fully active mode at 315MHz)
- 2.4V to 5.5V supply voltage operation range
- Optimized for 315MHz or 434MHz ISM Band
- On-chip image-rejection function
- High dynamic range with on-chip AGC
- Low power down mode current (<1μA)
- High sensitivity of -114dBm (315MHz, 2Kb/s AM 99% square-wave modulation)
- 24-pin SSOP package

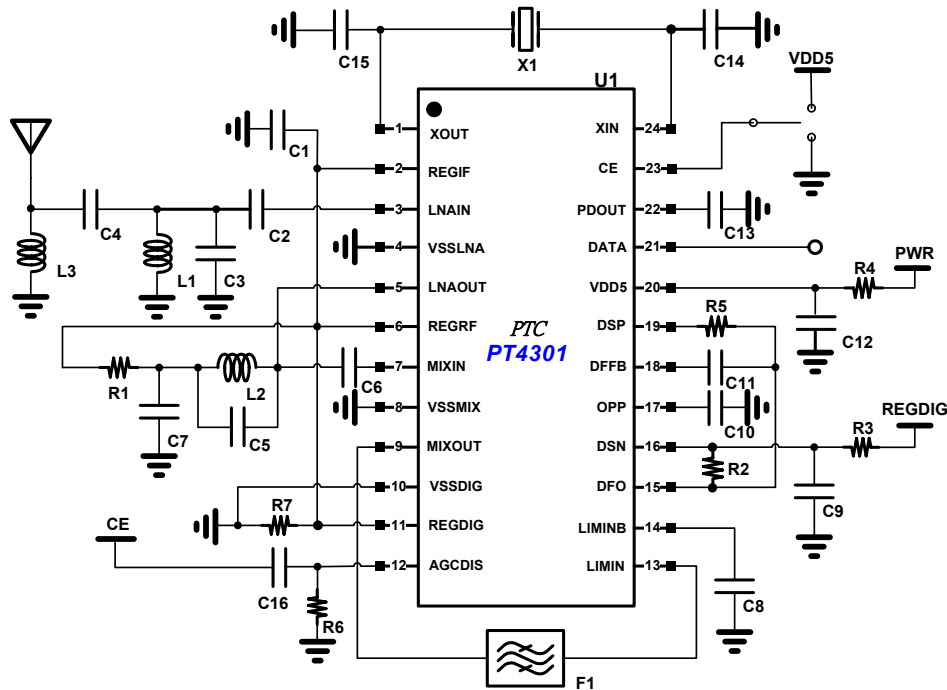
APPLICATIONS

- Remote keyless entry (RKE) systems
- Remote control systems including garage door and gate openers
- Alarm and security systems
- Wireless sensors

BLOCK DIAGRAM



APPLICATION CIRCUIT



BILL OF MATERIALS

Component	Value		Unit	Description
	315MHz	434MHz		
R1, R4	10	10	Ω	Power supply de-coupling resistors (option)
R2	27K	27K	Ω	Data filter to data slicer interface resistor
R3	8.2M	8.2M	Ω	Data slicer threshold adjustment (option)
R5	220K	220K	Ω	Data filter to data slicer interface resistor
R6	100K	100K	Ω	AGC disable
R7	5.6K	5.6K	Ω	REGDIS discharge resistor (option)
L1	68n	39n	H	LNA input matching, coil inductor
L2	47n	27n	H	LNA output matching
L3	39n	27n	H	Antenna ESD protection, coil inductor (option)
C1 ^{Note1} , C7, C12	100n	100n	F	Power supply de-coupling resistors
C2	10p	10p	F	LNA input matching
C3	-	-	F	LNA input matching (option)
C4	1.8p	1.2p	F	LNA input matching
C5	-	-	F	LNA output matching (option)
C6	100p	100p	F	LNA to mixer interface capacitor
C8	1.5n	1.5n	F	IF amplifier de-coupling capacitor
C9	470n	470n	F	Data slicer threshold charge capacitor
C10	390p	390p	F	Data filter capacitor
C11	1.2n	1.2n	F	Data filter capacitor
C13	-	-	F	Peak mode charge capacitor (option)
C14, C15	27p	27p	F	Crystal oscillator frequency fine tune capacitors
C16	100n	100n	F	AGC high gain mode quick start capacitor
F1 ^{Note2}	10.7	10.7	MHz	IF filter
X1	9.509	13.226	MHz	Reference crystal oscillator
U1	PT4301 IC	PT4301 IC	-	Receiver chip

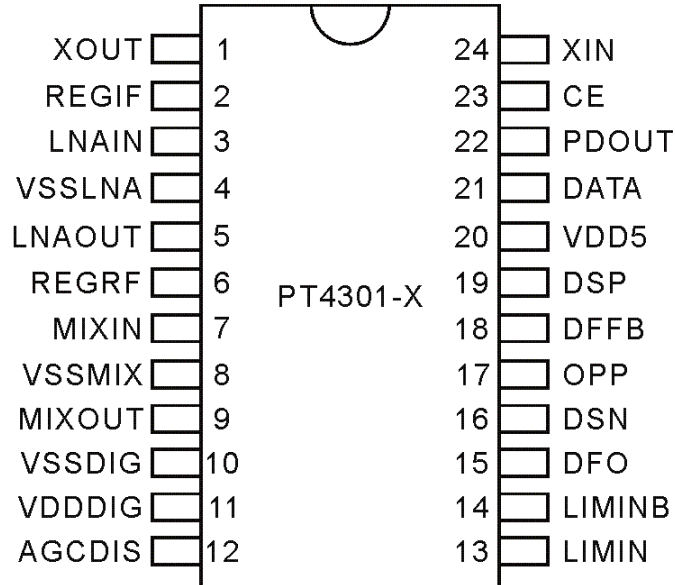
Notes:

1. C1 could be separated into three de-coupling capacitors and connect them against the three VDD pins as close as possible.
2. F1 is the 10.7MHz ceramic filter. The recommended part number is Murata SFELA10M7HA00-B0.

ORDER INFORMATION

Valid Part Number	Package Type	Top Code
PT4301-X	24 Pins, SSOP, 150mil	PT4301-X

PIN CONFIGURATION



PIN DESCRIPTION

Pin Name	I/O	Description	Pin No.
XOUT	O	Crystal oscillator output	1
REGIF	P	Supply voltage for IF portion	2
LNAIN	I	LNA input	3
VSSLNA	G	Ground for LNA	4
LNAOUT	O	LNA output	5
REGRF	P	Supply voltage for RF portion	6
MIXIN	I	Mixer input	7
VSSMIX	G	Ground for image-rejection mixer	8
MIXOUT	O	Mixer output	9
VSSDIG	G	Ground for LO and digital portions	10
REGDIG	P	Supply voltage for LO and digital portions	11
AGCDIS	I	AGC control pin. Pull high (connect to VDD5) to disable AGC	12
LIMIN	I	Limiting amplifier input	13
LIMINB	I	Limiter amplifier de-coupling input	14
DFO	O	Data filter output	15
DSN	I	Negative data slicer input	16
OPP	I	Non-inverting op-amp input for Sallen-Key data filter	17
DFFB	I/O	Data filter feedback node	18
DSP	I	Positive data slicer input	19
VDD5	P	5V supply voltage	20
DATA	O	Data output	21
PDOUT	O	Peak detector output	22
CE	I	Chip enable pin. Pull high (connect to VDD5) to power on the chip	23
XIN	I	Crystal oscillator input	24

Note: Pin 13 and Pin 14 are identical pins. Users can choose either pin as the limiting amplifier input and treat the other pin as the de-coupling input.

IMPORTANT NOTICE

Princeton Technology Corporation (PTC) reserves the right to make corrections, modifications, enhancements, improvements, and other changes to its products and to discontinue any product without notice at any time.

PTC cannot assume responsibility for use of any circuitry other than circuitry entirely embodied in a PTC product. No circuit patent licenses are implied.

Princeton Technology Corp.
2F, 233-1, Baociao Road,
Sindian, Taipei 23145, Taiwan
Tel: 886-2-66296288
Fax: 886-2-29174598
<http://www.princeton.com.tw>