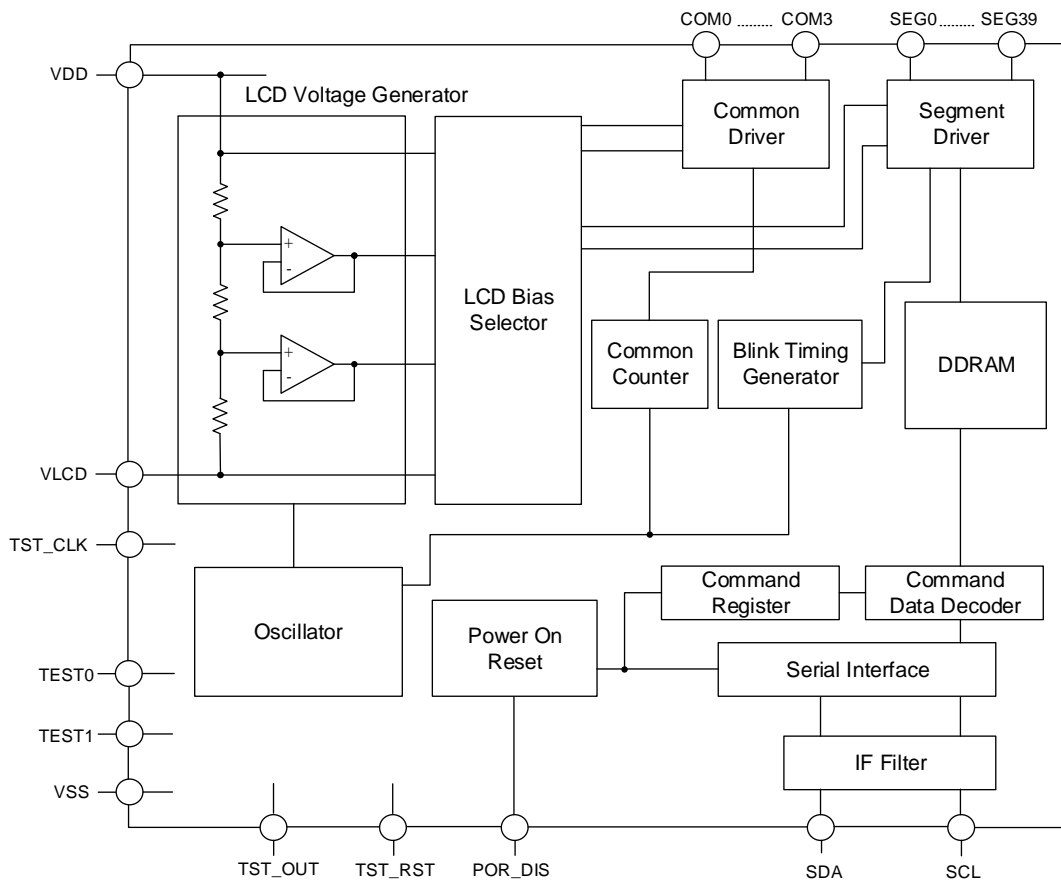


FEATURES

- AEC-Q100 grade 1 compliant for automotive applications
- Operating power supply: 2.5 ~ 5.5V
- 2-wire serial interface (SDA,SCL)
- LCD driving port:
4 Common output,
40 Segment output.
- Wide variety of bias drive techniques:
- 1/4 duty, 1/3 bias or 1/2 bias drive technique: (160 segments max.)
- 1/1 duty (Static Driving), drive technique: (40 segments max.)
- Integrated RAM for display data (DDRAM): 40 x 4 bits (Max. 160 Segment)
- 1/2bias, 1/3bias, Static selectable
- Integrated Buffer AMP for LCD driving power supply
- Integrated Oscillator Circuit
- No external components
- Integrated Power-On-Reset Circuit
- Support Blink Function (Blink Function 0.2, 0.33, 0.5, 1, 2Hz selection)
- Low power / Ultra low power consumption design

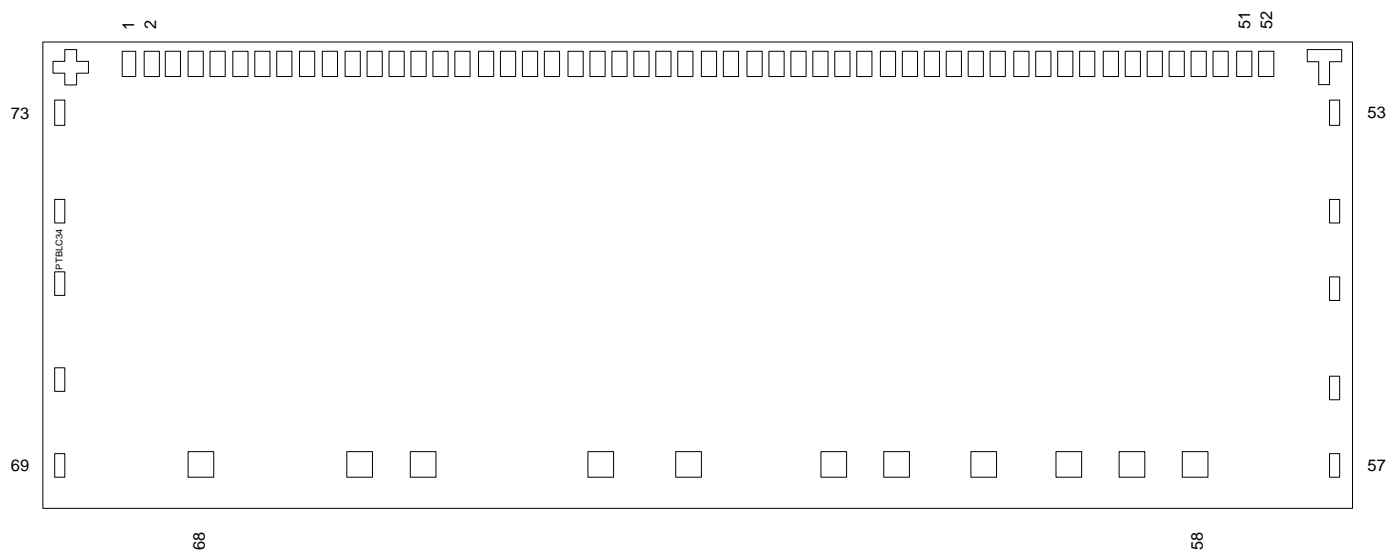
BLOCK DIAGRAM



ORDER INFORMATION

Valid Part Number	Package Type	Top Code
PT16597	COG	-

PIN CONFIGURATION



PIN DESCRIPTION

Pin Name	I/O	Description	PIN No.
COM0 ~ 3	O	Common output for LCD driver	1~3, 25~28, 49~52
SEG0 ~ SEG39	O	Segment output for LCD driver	5~24, 29~48
NC	-	No connect	53~57, 69~73
TEST0 ~ 1	I(PL)	Test input (PTC Testing Use)	58, 60
VLCD	-	Power supply for LCD driving	59
VDD	-	Power supply	61
POR_DIS	I(PL)	POR_DIS="L": POR circuit enable POR_DIS="H": POR circuit disenable,	62
VSS	-	Ground pin	63
TST_RST	I(PL)	External asynchronous reset input (PTC Testing Use)	64
SDA	I/O	Serial data input	65
TST_CLK	I(PL)	External clock input (PTC Testing Use)	66
SCL	I	Serial data transfer clock	67
TST_OUT	O	Test output (PTC Testing Use)	68

I=Input, O=Output, IO=Bi-directional (input/output),
PL=Pulled-low

IMPORTANT NOTICE

Princeton Technology Corporation (PTC) reserves the right to make corrections, modifications, enhancements, improvements, and other changes to its products and to discontinue any product without notice at any time.

PTC cannot assume responsibility for use of any circuitry other than circuitry entirely embodied in a PTC product. No circuit patent licenses are implied.

Princeton Technology Corp.
2F, 233-1, Baociao Road,
Sindian Dist., New Taipei City 23145, Taiwan
Tel: 886-2-66296288
Fax: 886-2-29174598
<http://www.princeton.com.tw>