

## DESCRIPTION

The PT16940 is a serial-in parallel-out controlled LED driver with 35V output voltage rating. With the input of 3-line serial data, it turns the 12ch open drain output on/off. Due to its compact size, it is optimal for small space.

## FEATURES

- Open Drain Output.
- 3-line Serial Control + Enable Signal.
- Cascade Connection Compatible.
- TSSOP-20 Package.
- Internal 12ch Power Transistor.
- Output Slew Rate Typical 20V/μs (for Low EMC Noise)

## KEY SPECIFICATIONS

- Input voltage range: 3.0V to 5.5V
- Output voltage range: 35V (Max.)
- DC Output Current (per CH): 50mA(Max.)
- Output ON Resistance: 6Ω(Typ.)
- Standby current: 0μA (Typ.)
- Operating temperature range: -40°C to +105°C

## APPLICATION

- For indicator of Cluster Panel

## BLOCK DIAGRAM

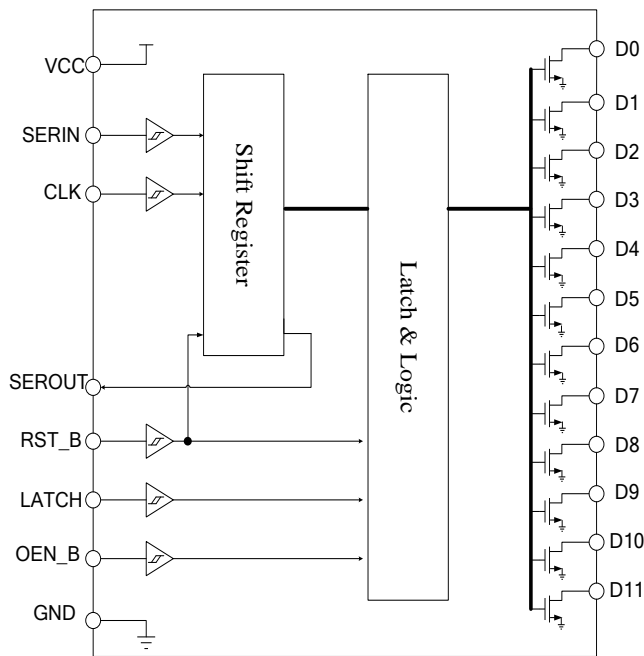


Figure 1. Block Diagram

# APPLICATION CIRCUIT

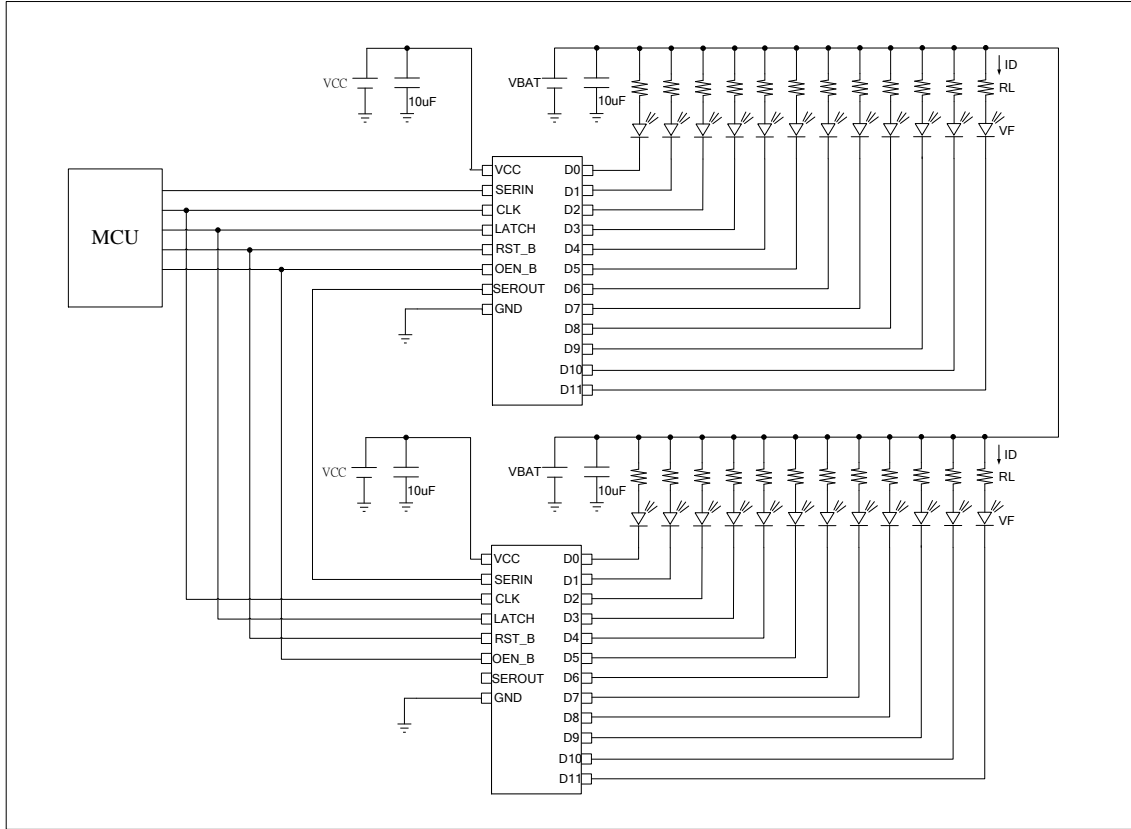


Figure 2. Application Circuit

## ORDER INFORMATION

Valid Part Number	Package Type	Top Code
PT16940-TX	20 Pins, TSSOP	PT16940-TX

## PIN CONFIGURATION

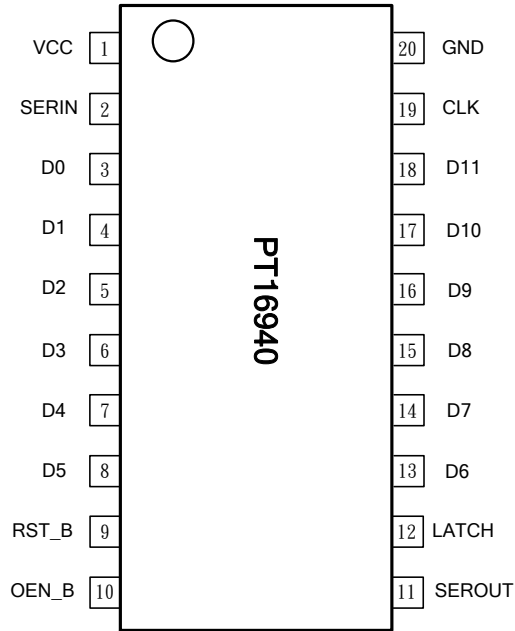


Figure 3. Pin Configuration

## PIN DESCRIPTION

Pin Name	Description	Pin No.
VCC	Power supply voltage input	1
SERIN	Serial data input	2
D0	Drain output 0	3
D1	Drain output 1	4
D2	Drain output 2	5
D3	Drain output 3	6
D4	Drain output 4	7
D5	Drain output 5	8
RST_B	Reset invert input (Low:FF data 0)	9
OEN_B	Output enable (High:Output OFF)	10
SEROUT	Serial data output	11
LATCH	Latch signal input (High:Data latch)	12
D6	Drain output 6	13
D7	Drain output 7	14
D8	Drain output 8	15
D9	Drain output 9	16
D10	Drain output 10	17
D11	Drain output 11	18
CLK	Clock input	19
GND	GND	20

## **IMPORTANT NOTICE**

Princeton Technology Corporation (PTC) reserves the right to make corrections, modifications, enhancements, improvements, and other changes to its products and to discontinue any product without notice at any time.

PTC cannot assume responsibility for use of any circuitry other than circuitry entirely embodied in a PTC product. No circuit patent licenses are implied.

Princeton Technology Corp.  
2F, 233-1, Baociao Road,  
Sindian Dist., New Taipei City 23145, Taiwan  
Tel: 886-2-66296288  
Fax: 886-2-29174598

<http://www.princeton.com.tw>