



Electronic Volume Controller IC

PT2253A

DESCRIPTION

PT2253A is an electronic volume controller IC utilizing CMOS Technology specially designed for use on audio equipments. It has two (2) built-in channels making it ideally suitable for mono and stereo sound applications. PT2253A provides a wide frequency response range and a very low harmonic distortion to mention a few; thereby guaranteeing a highly effective and reliable performance.

FEATURES

- CMOS technology
- Low power consumption
- Operating voltage range: $V_{cc}=6 \sim 12V$
(Backup voltage is up to 4V)
- 0dB to -68dB attenuation controlled by 2dB/step
- 2 channels in each chip
- Capable to control attenuation by a built-in oscillator and Up/Down pin
- Single power supply or dual power supplies of (+) and (-) can be used
- Wide frequency response range
- Very low harmonic distortion
- Available in 16 pin, DIP package

APPLICATIONS

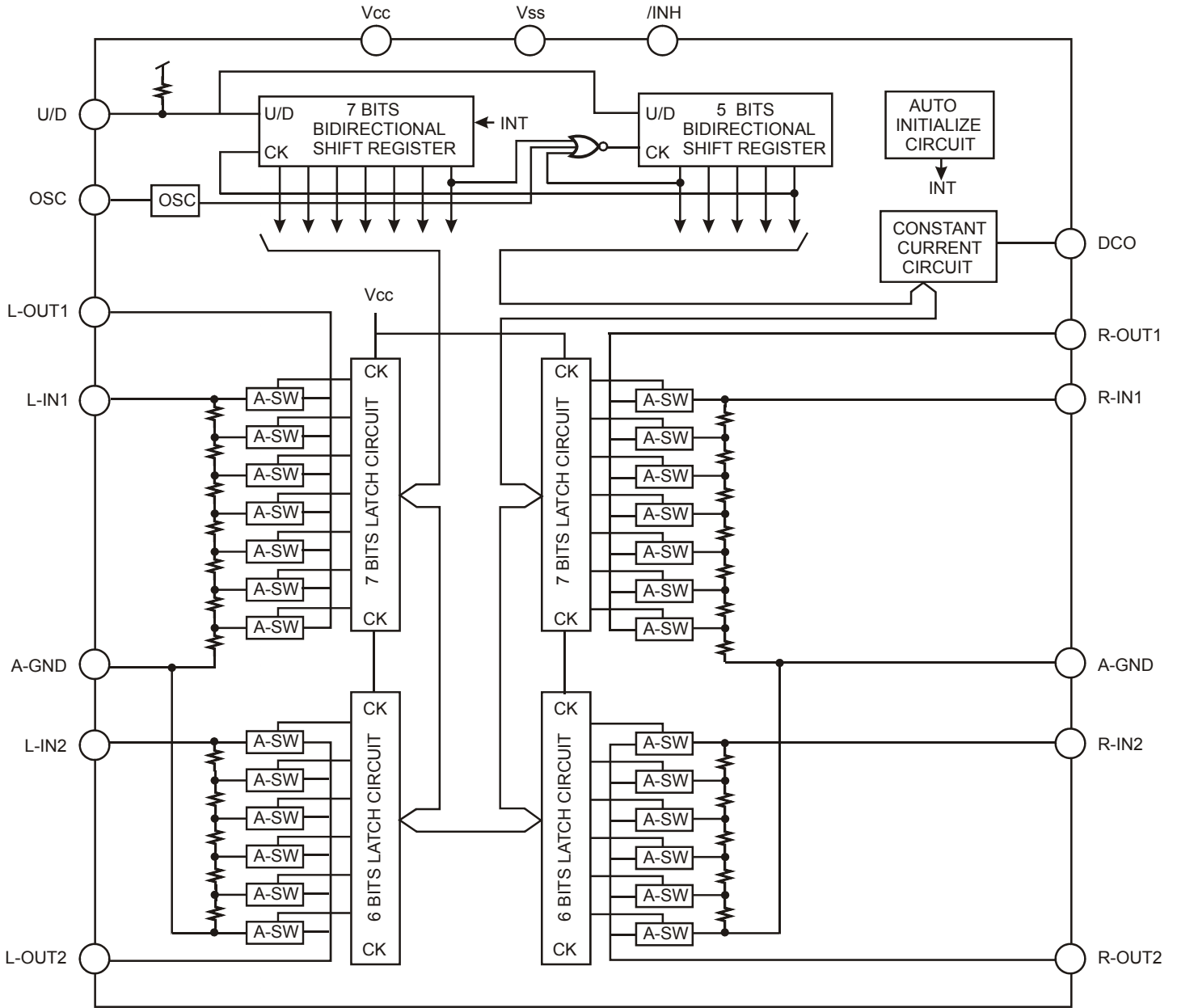
- Audio Equipment Volume Control
- Traditional VR Replacement



Electronic Volume Controller IC

PT2253A

BLOCK DIAGRAM

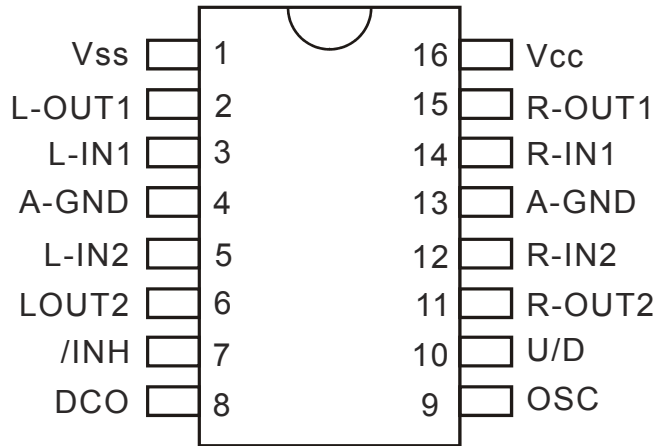




Electronic Volume Controller IC

PT2253A

PIN CONFIGURATION



PT2253A

PIN DESCRIPTION

Pin Name	I/O	Description	Pin No.
Vss	Power	Negative Power Supply	1
L-OUT1	O	10dB/Step Attenuator Output A signal applied to 'IN' is attenuated into 7 steps from 0dB to -60dB.	2
L-IN1	I	10dB/Step Attenuator Input	3
A-GND	GND	Analog Ground Pin	4
L-IN2	I	2dB/Step Attenuator Input	5
L-OUT2	O	2dB/Step Attenuator Output A signal applied to "IN" is attenuated into 5 steps from 0dB to -8dB.	6
/INH	I	Inhibit Terminal. At "L" level, all inputs and outputs are disabled. At "H" level, operation is normal.	7
DCO	O	DC Current Output Pin	8
OSC	I/O	RC Connecting Pin for the Oscillator	9
U/D	I	Attenuator Up/Down Control Pin	10
R-OUT2	O	2dB/Step Attenuator Output, same as L-OUT2.	11
R-IN2	I	2dB/Step Attenuator Input, same as L-IN2.	12
A-GND	GND	Analog Ground Pin	13
R-IN1	I	10dB/Step Attenuator Input, same as L-IN1.	14
R-OUT1	O	10dB/Step Attenuator Output, same as L-OUT1.	15
Vcc	Power	Positive Power Supply	16