



DESCRIPTION

PT2256V is an electronic volume controller IC utilizing CMOS Technology specially designed for use on audio equipment. It has 2 built-in channels making it ideally suitable for mono and stereo sound applications. PT2256V provides the Loudness Function, a wide frequency response range and a very low total harmonic distortion, thereby guaranteeing a highly effective and reliable performance. It is housed in 16-pin DIP or SOP and is functionally compatible with TC9235P. Pin assignments and application circuit are optimized for low cost advantages and easy PCB Layout.

FEATURES

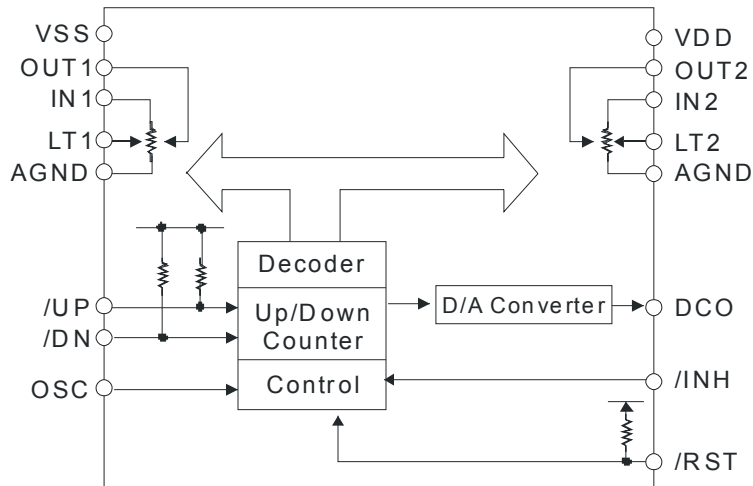
- CMOS Technology
- Low Power Consumption
- Wide Operation Voltage Range: VDD=4.5 ~ 11V
- Least External Components
- 2 Channels in the same chip
- 0dB to -78dB Attenuation can be controlled by UP and Down Pin
- 20dB Tap for Loudness Circuit
- Built-in DC Output Circuit (8 levels) for Volume Level Metering
- Wide Frequency Response Range
- Low Total Harmonic Distortion
- Available in 16 pins DIP or SOP

APPLICATION

- Audio Equipment Volume Control

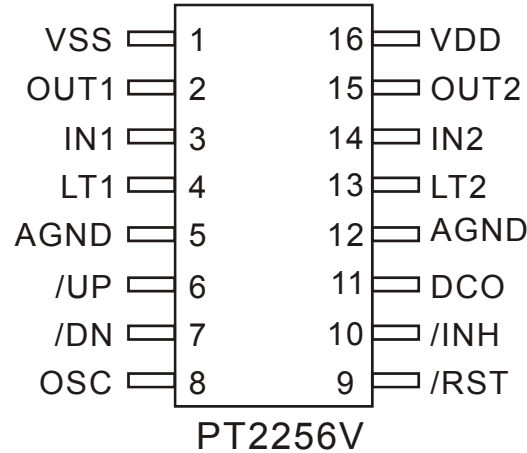


BLOCK DIAGRAM





PIN CONFIGURATION



PIN DESCRIPTION

Pin Number	I/O	Description	Pin No.
VSS	-	Negative Power Supply	1
OUT1	O	Volume Output Pin 1	2
IN1	I	Volume Input Pin 1	3
LT1	O	Tap Output Pin 1 for Loudness Function	4
AGND	-	Analog Ground Pins 1	5, 12
UP	I	Volume UP Control Input Pin. The 1 step/1 push volume is controlled by pressing the UP Key. If the key has been pushed continuously increase. Built-in Pull-up Resistor.	6
DN	I	Volume DOWN Control Input Pin. The 1 step/1 push volume is controlled by pressing the DOWN Key. If the key is continuously pressed, the volume control will continuously decrease. Built-in Pull-up Resistor.	7
OSC	I/O	Oscillation Pin. The oscillation circuit of a resistor and capacitor connection. Oscillator is activated when the key is pressed.	8
RST	I	Reset Pin. This pin sets the initial volume level. The volume level is set to -46dB by "L" Input. Built-in Pull-up Resistor Low Active	9
/INH	I	Backup Mode Input Pin	10
DCO	O	DC Output Pin for Volume Level Meter	11
LT2	O	Tap Output Pin 2 for Loudness Function	13
IN2	I	Volume Input Pin 2	14
OUT2	O	Volume Output Pin 2	15
VDD	-	Positive Power Supply	16