

DESCRIPTION

The PT2257 is an electronic volume controller IC utilizing CMOS technology specially designed for the new generation of AV entertainment products. It has two (2) built-in channels making it ideally suitable for mono and stereo sound applications. The PT2257 provides an I²C control interface, an attenuation range of 0 to -79dB, low noise, and high channel separation. It is housed in an 8-pin, DIP or SOP package. The PT2257's pin assignments and application circuit are optimized for easy PCB layout and cost saving advantages.

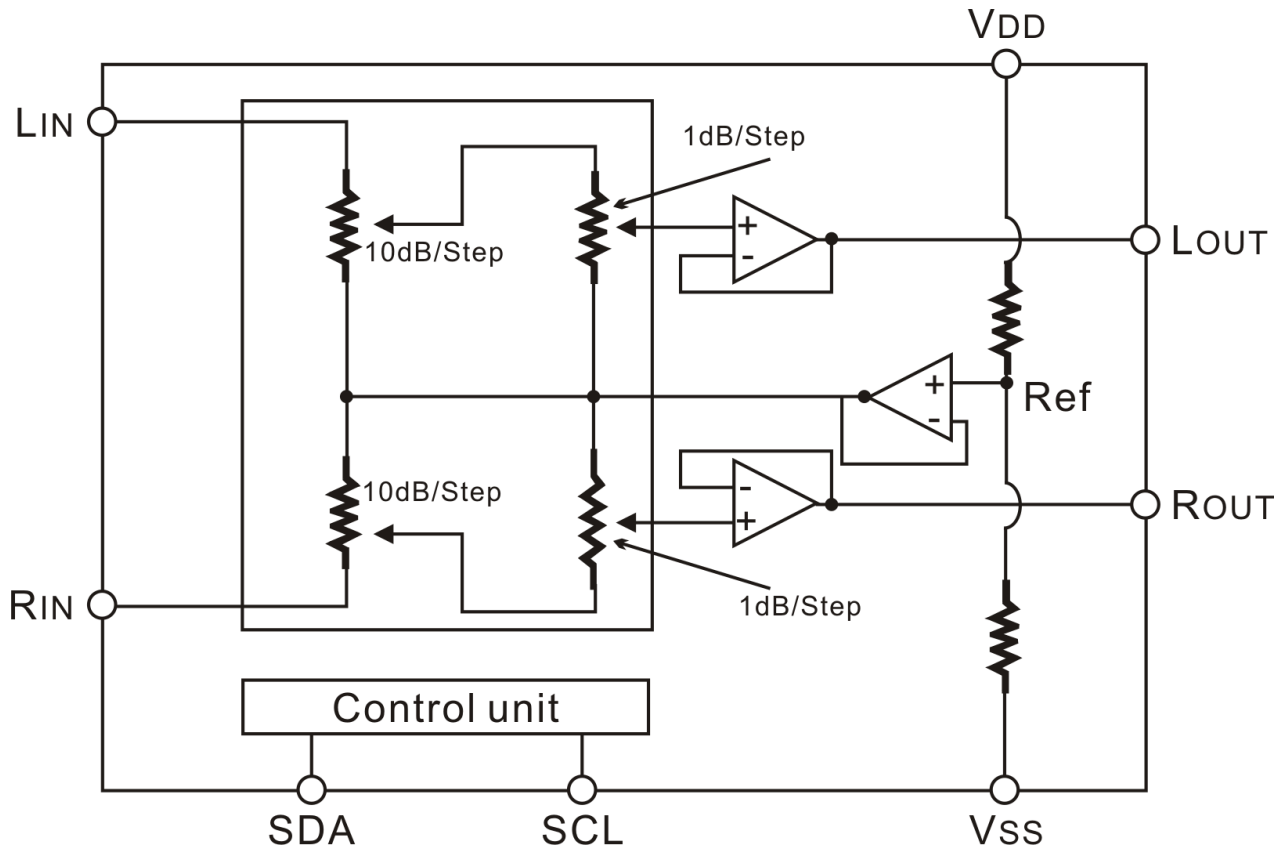
FEATURES

- CMOS technology
- Low power consumption
- Least external components
- Attenuation range: 0 to -79dB at 1dB/step
- Operating voltage: 3 to 9V
- Low Noise, S/N Ratio>100dB (A-weighting)
- Two channel output
- Available in 8-pin, DIP or SOP

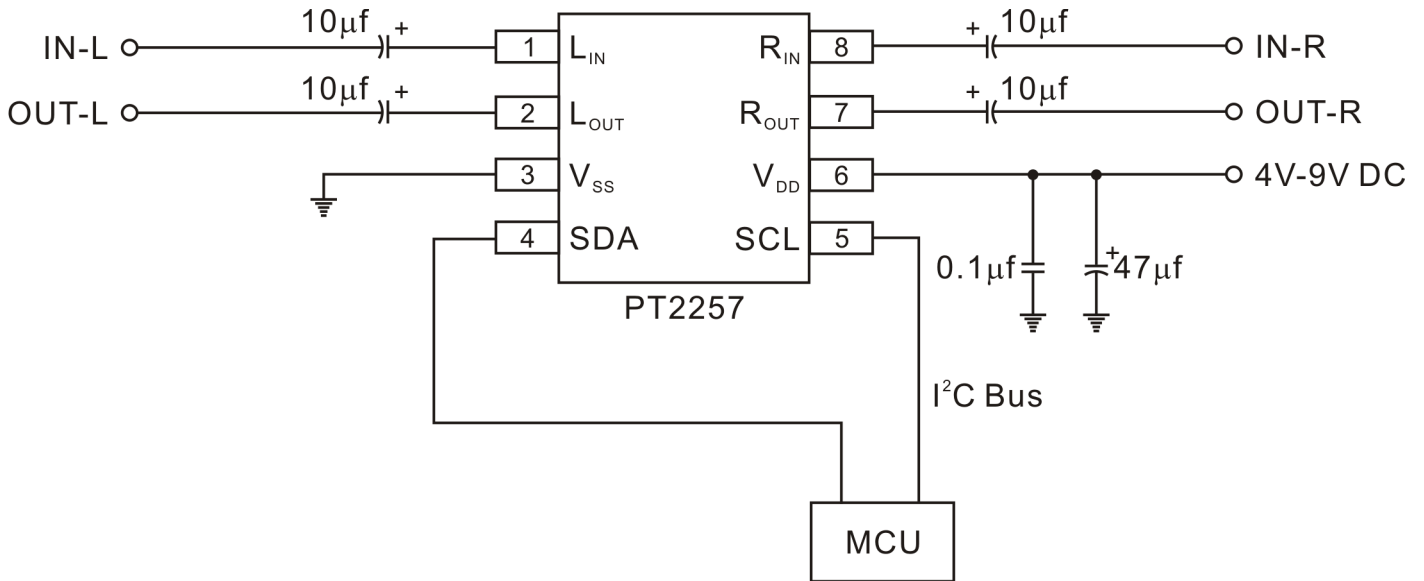
APPLICATIONS

- AV surround audio equipment
- Car audio
- Mini compo
- Computer multi-media speaker
- Other audio equipment

BLOCK DIAGRAM



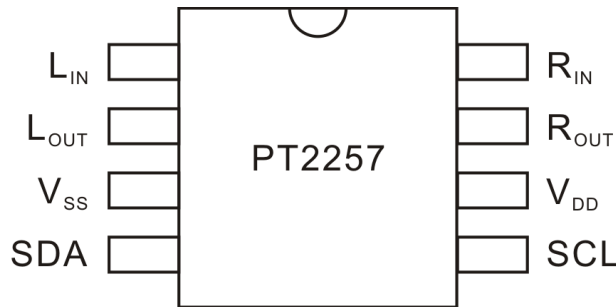
APPLICATION CIRCUIT



ORDER INFORMATION

Part Number	Package Type	Top Code
PT2257-D	8-Pin, DIP, 300mil	PT2257-D
PT2257-S	8-Pin, SOP, 150mil	PT2257-S

PIN CONFIGURATION



PIN DESCRIPTION

Pin Name	I/O	Description	Pin No.
L _{IN}	I	Left input channel Connect a capacitor to audio source	1
L _{OUT}	O	Left output channel Connect a capacitor to audio output	2
V _{SS}	-	Ground	3
SDA	I	I ² C data input	4
SCL	I	I ² C clock input	5
V _{DD}	-	Power supply	6
R _{OUT}	O	Right output channel Connect a capacitor to audio output	7
R _{IN}	I	Right input channel Connect a capacitor to audio source	8

IMPORTANT NOTICE

Princeton Technology Corporation (PTC) reserves the right to make corrections, modifications, enhancements, improvements, and other changes to its products and to discontinue any product without notice at any time.

PTC cannot assume responsibility for use of any circuitry other than circuitry entirely embodied in a PTC product. No circuit patent licenses are implied.

Princeton Technology Corp.
2F, 233-1, Baociao Road,
Sindian Dist., New Taipei City 23145, Taiwan
Tel: 886-2-66296288
Fax: 886-2-29174598
<http://www.princeton.com.tw>