

## DESCRIPTION

PT2283A/B is a programmable rolling code encoder IC utilizing CMOS Technology specially designed for remote control applications. It supports up to 24-bit programmable address codes, 4 data bits and 16-bit programmable rolling code. A total of 65,536 rolling code combinations as well as power saving feature is also provided.

PT2283A/B encodes the programmed codes into a coded waveform suitable for RF modulation. Pin assignments and application circuit are optimized for easy PCB Layout and cost saving advantage.

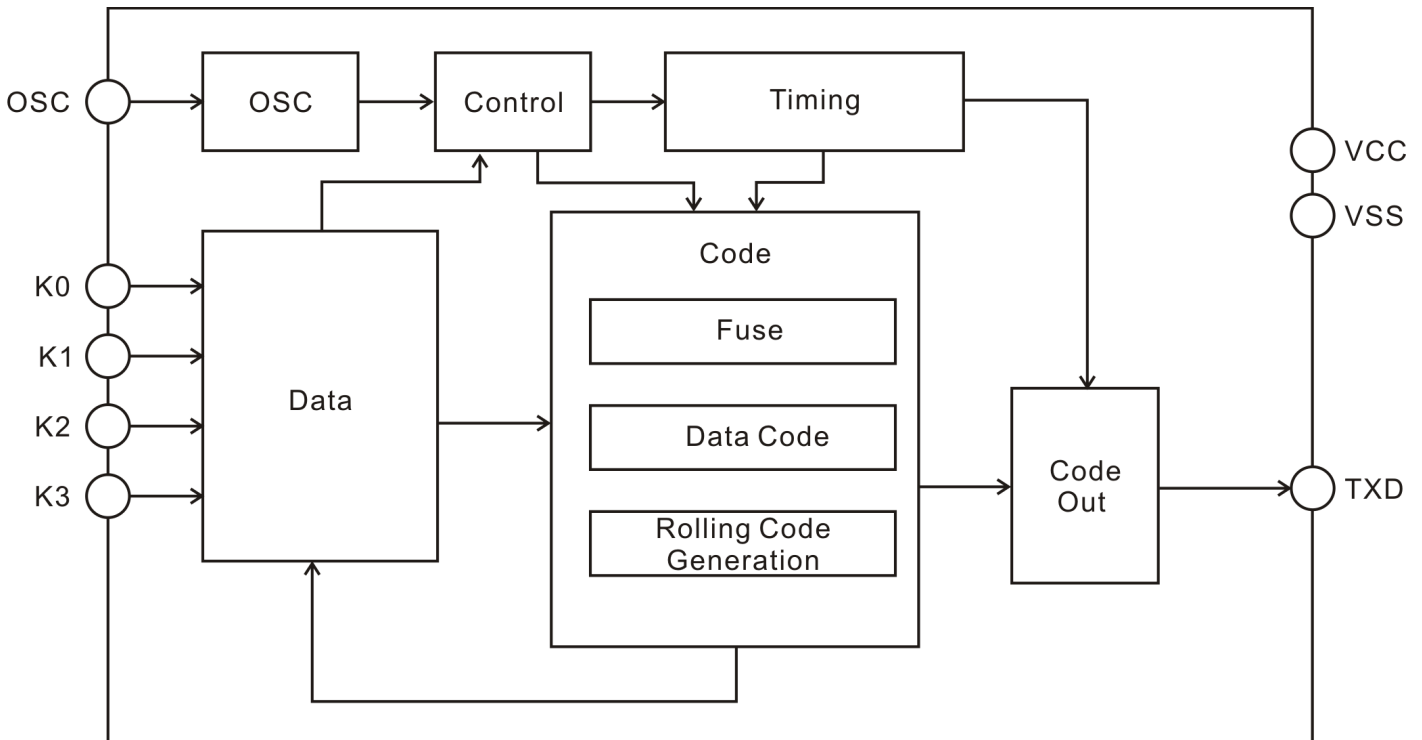
## FEATURES

- CMOS technology
- Low standby current <math><1\mu\text{A}</math>
- Least external components
- High noise immunity
- Wide range of operating voltage: 2.2V ~ 15V
- Wide range of operating temperature: -40 ~ 85°C
- Up to 24 address codes
- Up to 4 data bits
- Up to  $2^{40}$  output code combinations
- Power saving feature
- Available programming by customer
- Available in 8-pin, SOP

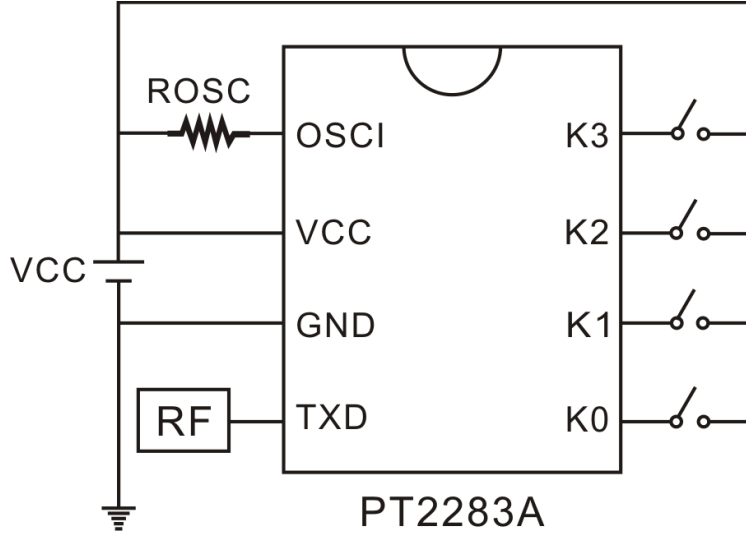
## APPLICATIONS

- Burglar alarm system
- Car security system
- Car/Garage door controller
- Home/Office security system
- Personal alarm system

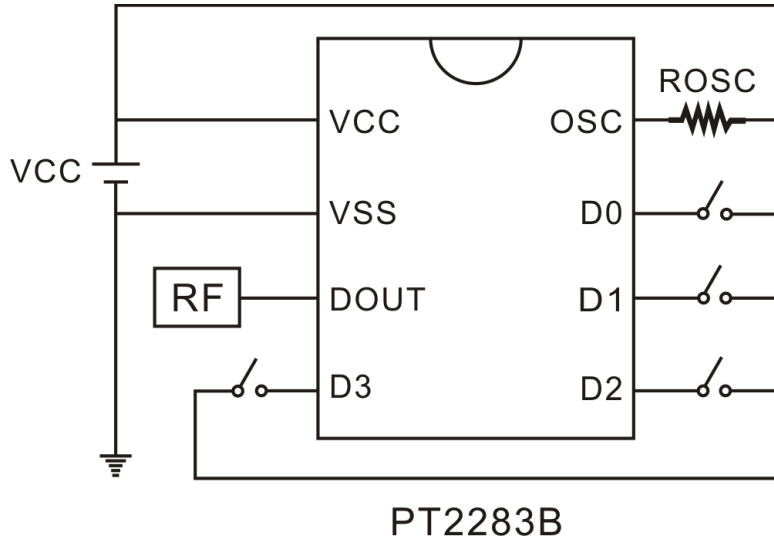
## BLOCK DIAGRAM



## APPLICATION CIRCUIT 1



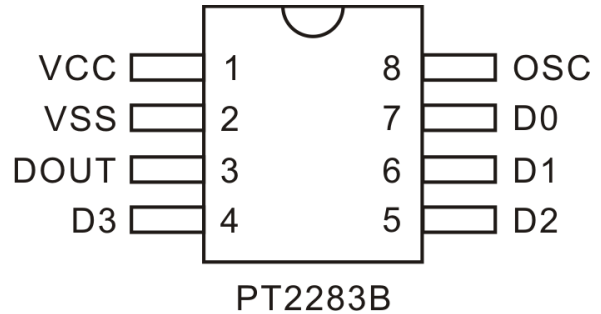
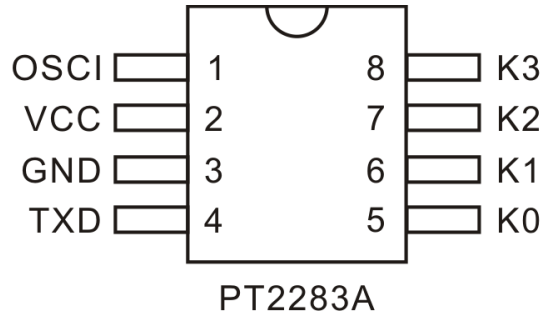
## APPLICATION CIRCUIT 2



## ORDER INFORMATION

Part Number	Package Type	Top Code	Address Code
PT2283AP-S	8-Pin, SOP, 150mil	PT2283AP-S	Programmed
PT2283BP-S	8-Pin, SOP, 150mil	PT2283BP-S	Programmed

## PIN CONFIGURATION



## PIN DESCRIPTION

### PT2283A

Pin Name	I/O	Description	Pin No.
OSCI	I	Oscillation input pin	1
VCC	I	Power supply	2
GND	-	Negative Power supply	3
TXD	-	Data output pin	4
K0-K3	I	Data input pins	5~8

### PT2283B

Pin Name	I/O	Description	Pin No.
VCC	I	Power supply	1
VSS	-	Negative Power supply	2
DOUT	-	Data output pin	3
D3~D0	I	Data input pins	4~7
OSC	I	Oscillation input pin	8

## IMPORTANT NOTICE

Princeton Technology Corporation (PTC) reserves the right to make corrections, modifications, enhancements, improvements, and other changes to its products and to discontinue any product without notice at any time.

PTC cannot assume responsibility for use of any circuitry other than circuitry entirely embodied in a PTC product. No circuit patent licenses are implied.

Princeton Technology Corp.  
2F, 233-1, Baociao Road,  
Sindian Dist., New Taipei City 23145, Taiwan  
Tel: 886-2-66296288  
Fax: 886-2-29174598  
<http://www.princeton.com.tw>