

DESCRIPTION

The PT2309 is a headphone driver IC, it can working on wide supply range. Utilizing CMOS Technology, it has very low power consumption is in stand-by mode. Total harmonic distortion is lower than 0.03% (32Ω load) and the also has low noise output. Built-in mute function can prevents popping sounds happen when power is turned ON or OFF. It is also has built-in over-temperature protection, minimum package size for space saving and suitable for small or portable products.

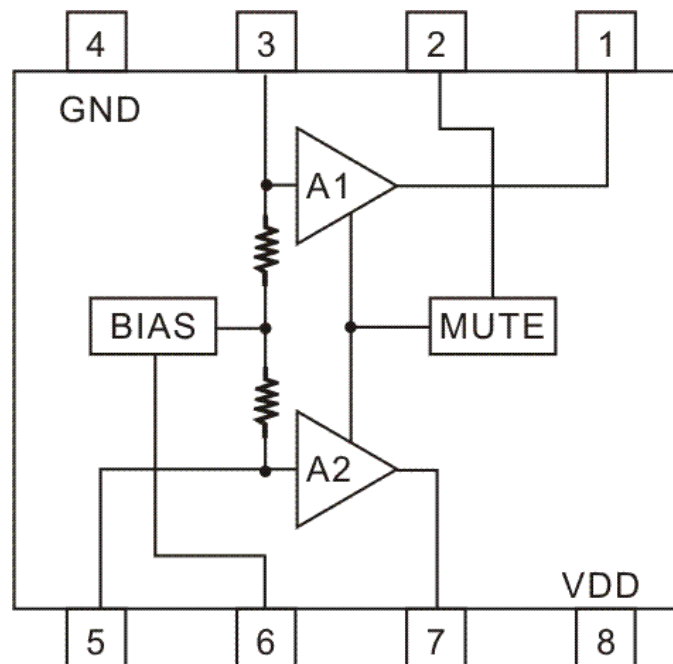
FEATURES

- CMOS Technology
- Stereo Input
- Drive 32Ω impedance load
- Low noise, Low distortion
- Suppress the pop and click noise when mode changed
- Built-in mute function
- Available in 8 Pins, DIP or SOP Package

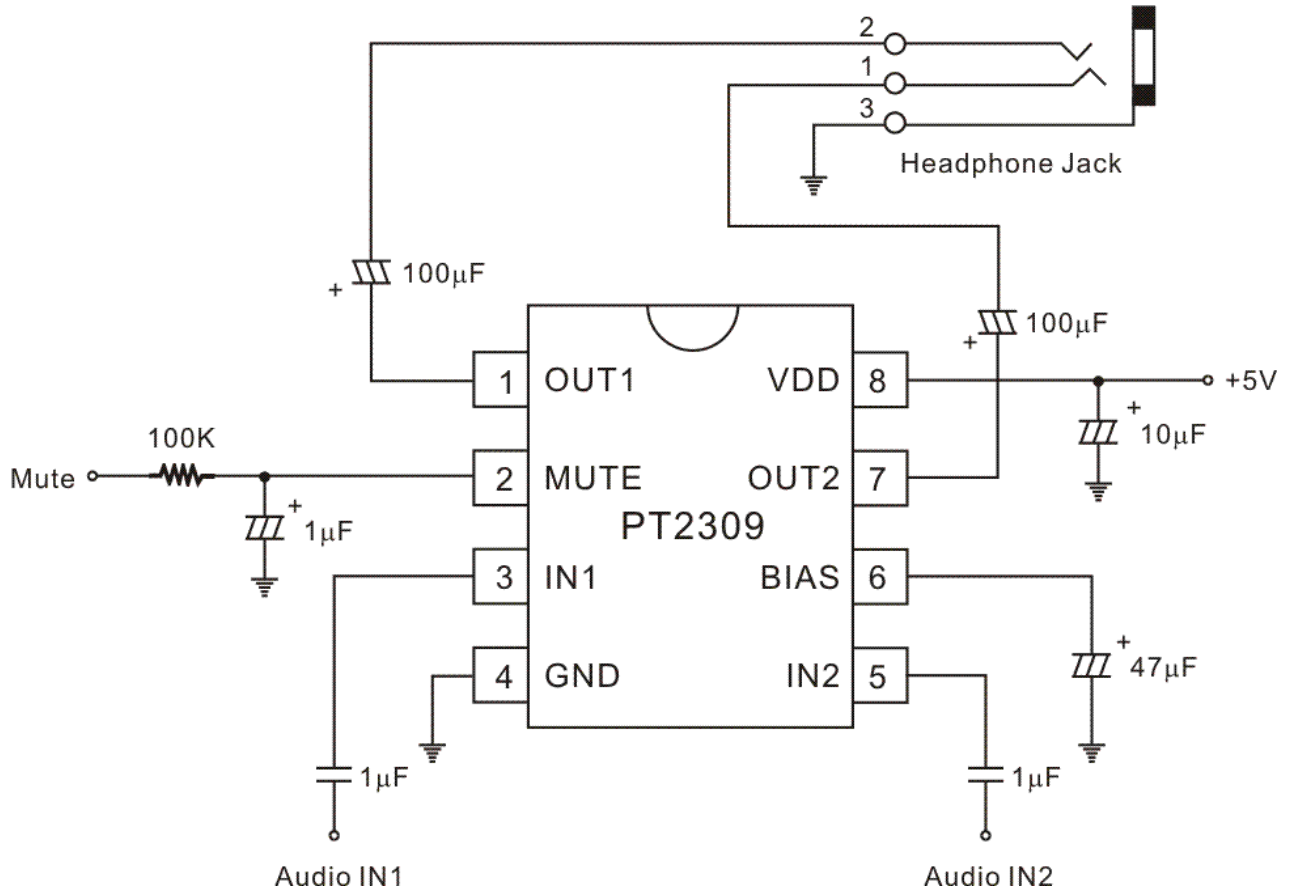
APPLICATIONS

- Portable VCD/DVD
- CD-ROM
- PDA
- Sound Card

BLOCK DIAGRAM



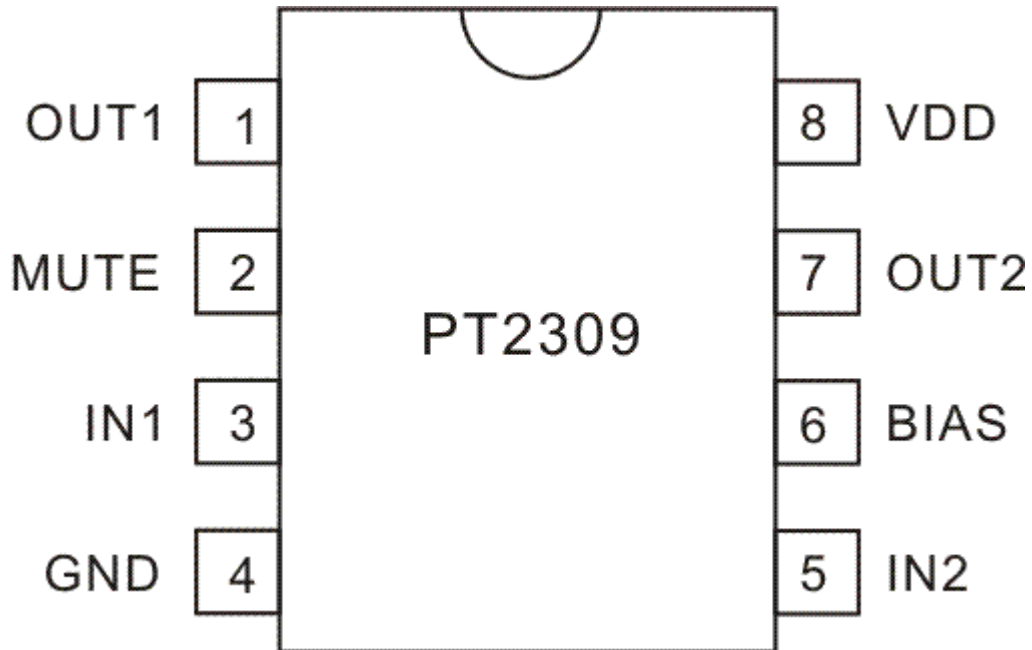
APPLICATION CIRCUIT



ORDER INFORMATION

Valid Part Number	Package Type	Top Code
PT2309	8 Pins, DIP, 300mil	PT2309
PT2309-S	8 Pins, SOP, 150mil	PT2309-S

PIN CONFIGURATION



PIN DESCRIPTION

Pin Name	I/O	Description	Pin No.
OUT1	O	CH1 Output	1
MUTE	I	Mute Pin	2
IN1	I	CH1 Input	3
GND	-	Ground	4
IN2	I	CH2 Input	5
BIAS	I	Bias Pin	6
OUT2	O	CH2 Output	7
VDD	-	Power Input	8

IMPORTANT NOTICE

Princeton Technology Corporation (PTC) reserves the right to make corrections, modifications, enhancements, improvements, and other changes to its products and to discontinue any product without notice at any time.

PTC cannot assume responsibility for use of any circuitry other than circuitry entirely embodied in a PTC product. No circuit patent licenses are implied.

Princeton Technology Corp.
2F, 233-1, Baociao Road,
Sindian, Taipei 23145, Taiwan
Tel: 886-2-66296288
Fax: 886-2-29174598
<http://www.princeton.com.tw>