

DESCRIPTION

The PT2329 is a 2-ch electronic volume with tone and surround IC for Mini Combo. It has a 6-input selector, Bypass/tone/tone & surround, input gain control and 2ch master volume. It can control all of these functions with I²C Interface.

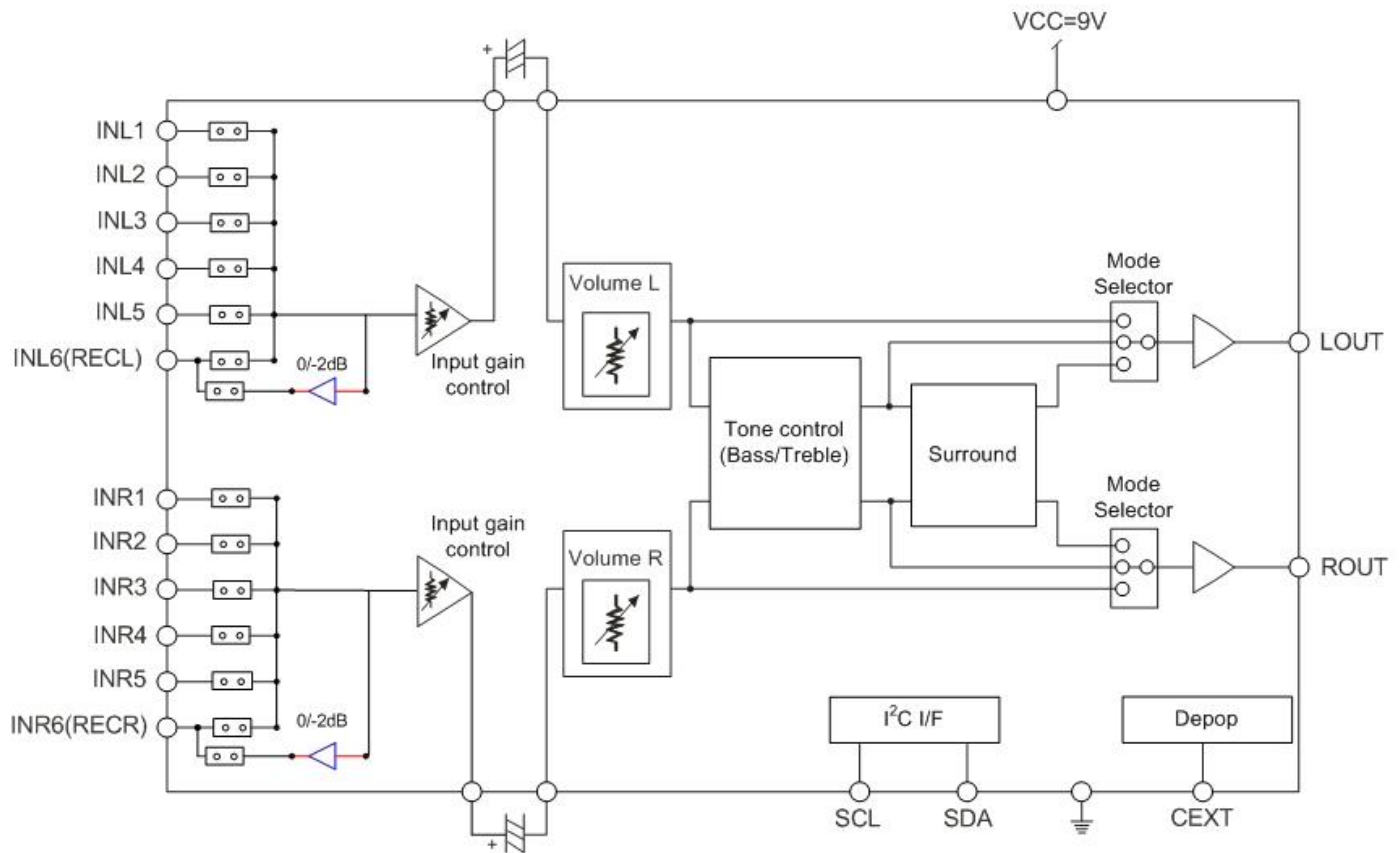
APPLICATION

- Mini Combo

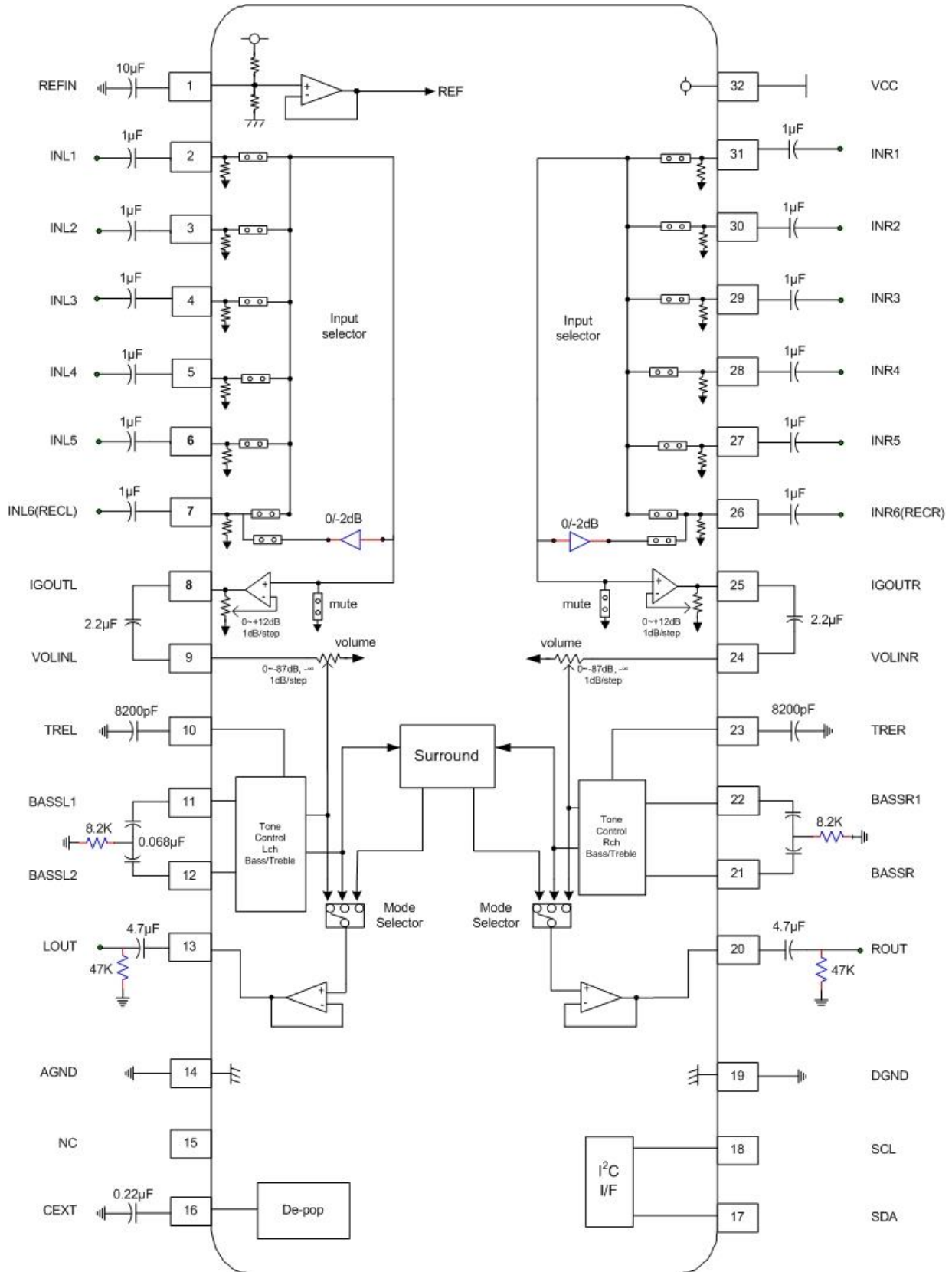
FEATURES

- Supply voltage: V_{CC}=9V (typ.)
- Volume: 0~-87dB, -∞/1dB step, each channels are independence control.
- Input selector: 6 stereo input selector include 1 REC output of 0/-2dB + Mute
- Input gain control: 0dB~-+12dB/1dB step
- Tone control:
 - Bass: -15dB~-+15dB/1dB step
 - Treble: -15dB~-+15dB/1dB step
- Surround: Surround <Low/High>
- Mode selector: Bypass/Tone/Tone & Surround
- Built-in de-pop function
- I²C interface: 2 ports serial control

BLOCK DIAGRAM



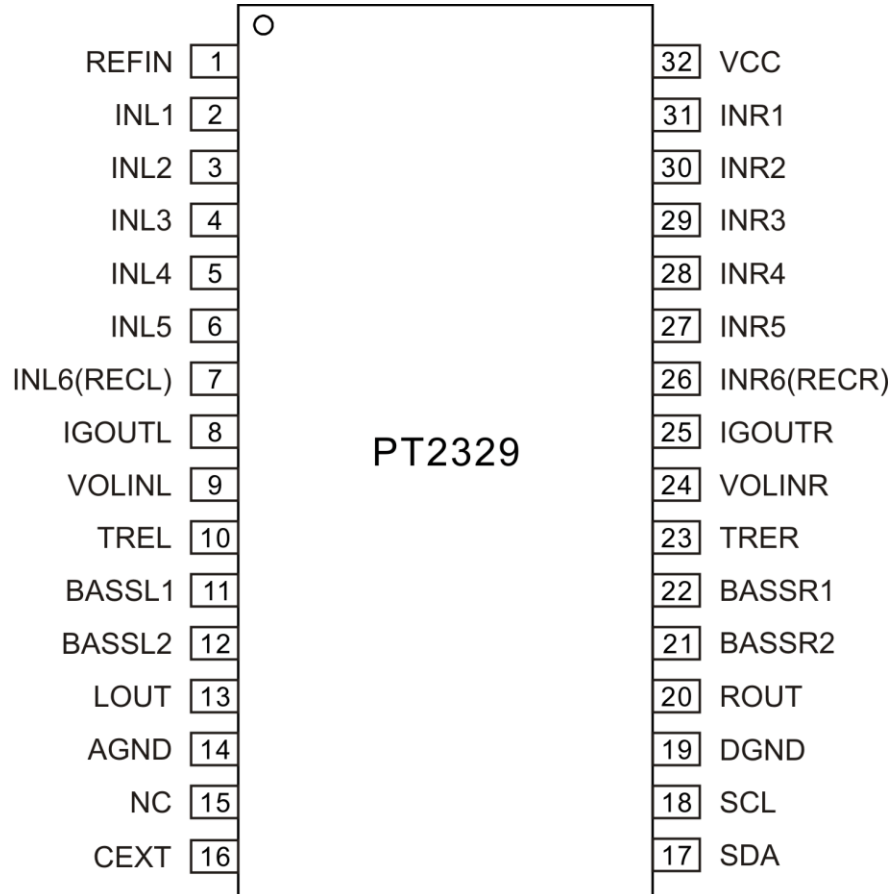
APPLICATION CIRCUIT



ORDER INFORMATION

Valid Part Number	Package Type	Top Code
PT2329	32 Pins, SOP, 300mil	PT2329

PIN CONFIGURATION



IMPORTANT NOTICE

Princeton Technology Corporation (PTC) reserves the right to make corrections, modifications, enhancements, improvements, and other changes to its products and to discontinue any product without notice at any time.

PTC cannot assume responsibility for use of any circuitry other than circuitry entirely embodied in a PTC product. No circuit patent licenses are implied.

Princeton Technology Corp.
2F, 233-1, Baociao Road,
Sindian Dist, New Taipei 23145, Taiwan
Tel: 886-2-66296288
Fax: 886-2-29174598
<http://www.princeton.com.tw>