

DESCRIPTION

The PT2335 is an integrated audio amplifier design for the low voltage (5V) application purpose, built-in stereo 2W Class-D power amplifier with audio processor, it provides 4 stereo sources selector, and all signal process is based on pure analog processing to maintain high performances and low power consumption. The audio processor includes all the advanced control functions such like digital controlled volume, adaptive loudness, treble and bass control. It also provides line output for versatile application. The whole chip functions are controlled via I²C bus.

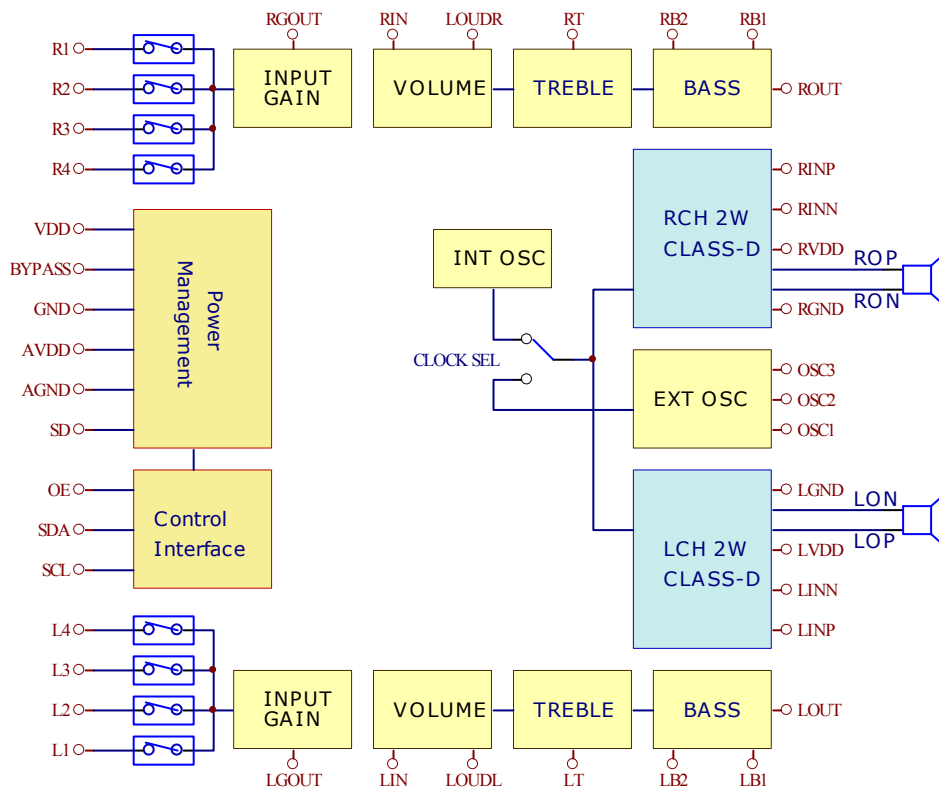
APPLICATIONS

- Portable player duck speaker system
- Portable media player
- Digital photo frame
- Flat panel display and TV
- Other audio applications

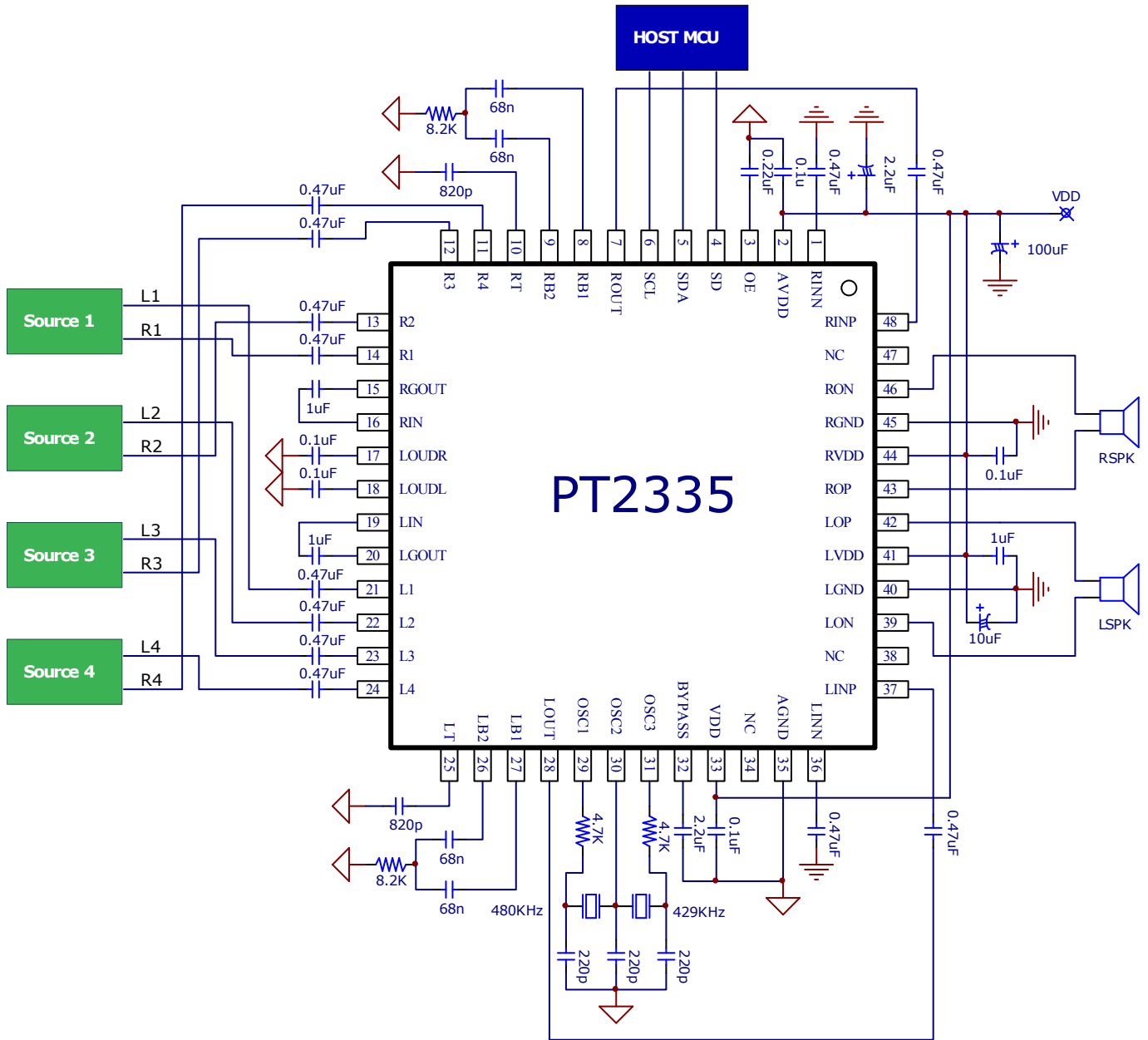
FEATURES

- Supply voltage: 3 ~ 6V
- 4 Stereo inputs
- Input gain selectable (0dB, 3.75dB, 7.5dB, 11.25dB)
- Independent channel volume controller
- Loudness function
- Bass and treble control.
- 2W X 2 Class-D power amplifier (VDD=5V, RL=4Ω)
- 2 voltage gain setting for power amp (20dB, 26dB)
- Internal and external oscillator selectable
- Dual switching frequency for avoid AM radio interference
- Pop-Free circuitry eliminates unpleasant noises during power ON/OFF.
- Low power shutdown
- High PSRR
- Over heat/over current protection circuitry
- Controlled by I²C interface
- High power CMOS processing
- LQFP 48 pins package

BLOCK DIAGRAM



APPLICATION CIRCUIT



ORDER INFORMATION

Valid Part Number	Package Type	Top Code
PT2335-LQ	48 Pins, LQFP	PT2335-LQ

PIN CONFIGURATION

