

DESCRIPTION

The PT2337 is an integrated audio amplifier design for the low voltage (5V) application purpose, built-in stereo 2W Class-D power amplifier with audio processor, it provides 4 stereo sources selector, and all signal process is based on pure analog processing to maintain high performances and low power consumption. The audio processor includes all the advanced control functions such like digital controlled volume, treble and bass control. The whole chip functions are controlled via I²C bus.

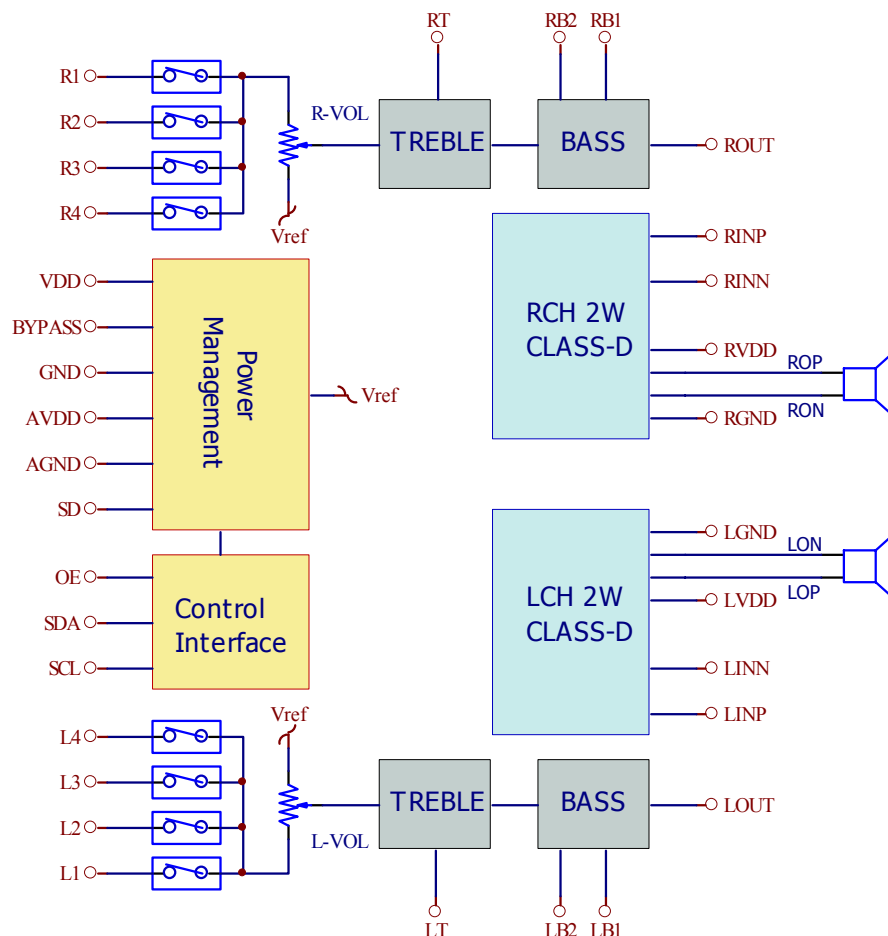
APPLICATIONS

- Portable player duck speaker system
- Portable media player
- Digital photo frame
- Flat panel display and TV
- Other audio applications

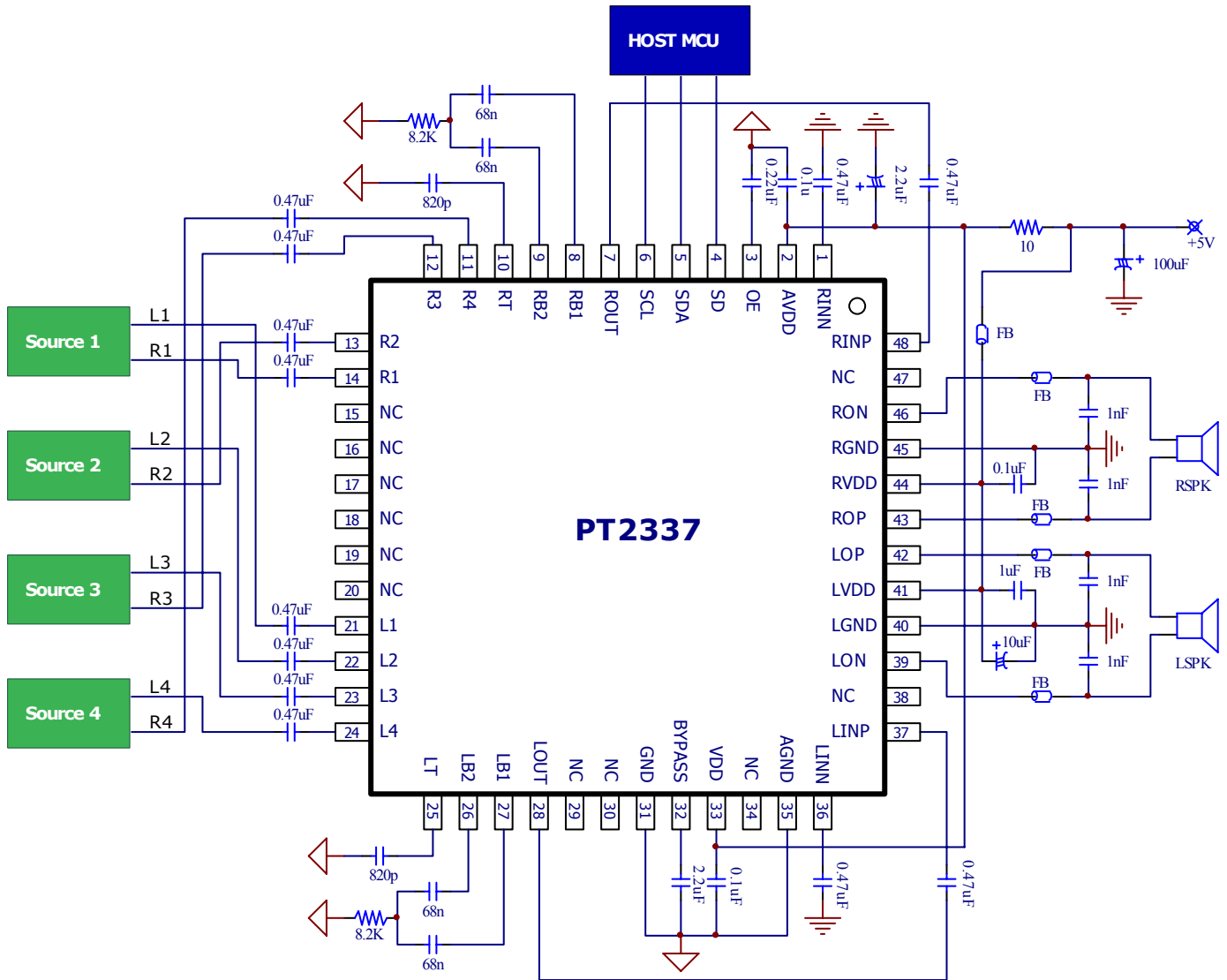
FEATURES

- Supply voltage: 3 ~ 6V
- 2W X 2 Class-D power amplifier(VDD=5V, RL=4Ω)
- 4 Stereo inputs
- 32 steps, independent channel volume controller
- Bass and treble control.
- 2 voltage gain setting for power amp(20dB, 26dB)
- Pop-Free circuitry eliminates unpleasant noises during power ON/OFF.
- Low power shutdown
- High PSRR
- High RF radiation immunity.
- Over heat/over current protection
- Controlled by I²C interface
- Pin-compatible with PT2334(Partly functions compatible)
- LQFP 48 pins package

BLOCK DIAGRAM



APPLICATION CIRCUIT





ORDER INFORMATION

Valid Part Number	Package Type	Top Code
PT2337-LQ	48 Pins, LQFP	PT2337-LQ

PIN CONFIGURATION

