

DESCRIPTION

PT2366L is an audio power amplifier IC utilizing advanced CMOS technology. It can deliver 1W power output under 5V supply voltage. The power consumption is very low in stand-by mode.

Built-in over-temperature protection, package size is not occupies PCB space. It is suitable for small or portable products.

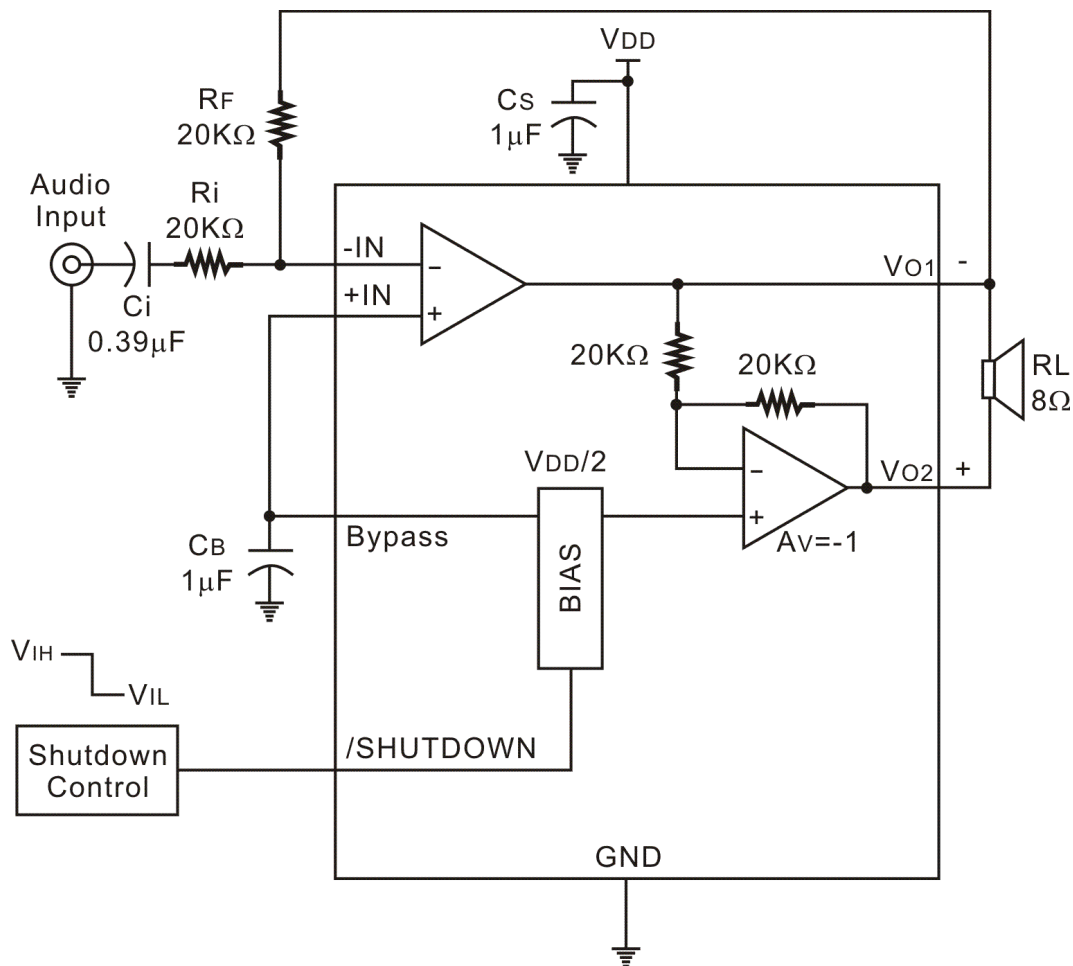
FEATURES

- CMOS technology
- Output power 1W (8Ω)
- Low harmonics distortion
- Built-in pop and click noise suppress
- Shutdown function, turn on can into save mode ($I_{cc} < 0.1\mu A$)
- Built-in over-temperature protection

APPLICATIONS

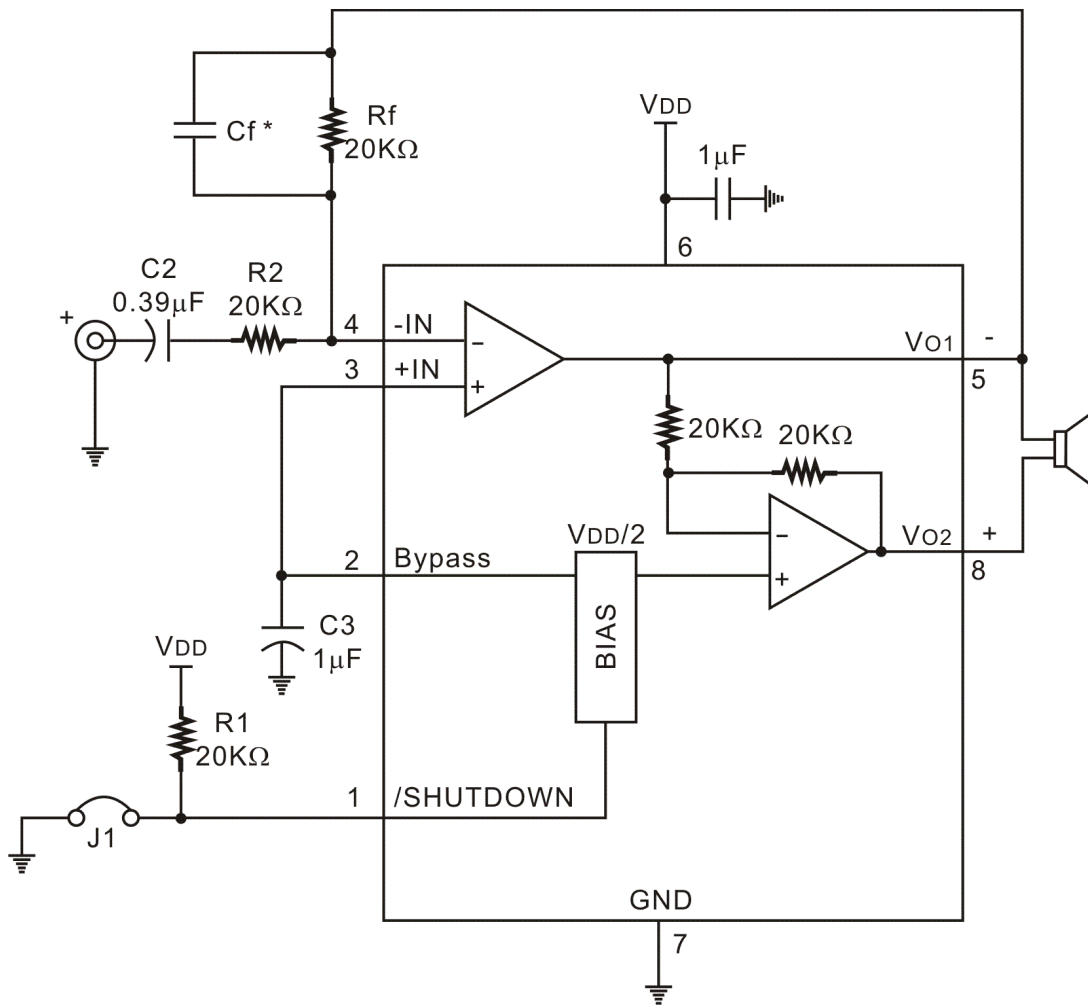
- DSC, PDA
- LCD TV or Monitor
- Electronic dictionary
- Multimedia speaker
- Other A/V applications

BLOCK DIAGRAM



APPLICATION CIRCUIT

SINGLE ENDED INPUT



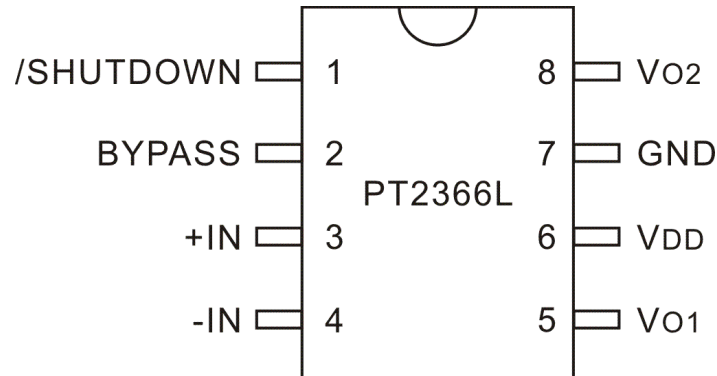
Notes:

1. *=Not stuffed
2. Add a circuit (Cf) if needed, it can be a low filter to delete high frequency oscillation, but must to avoid incorrect Rf and Cf combination to cause "glide" before 20KHz. In general Rf=20KΩ, Cf=25pF, -3dB is 320KHz is recommended.

ORDER INFORMATION

Valid Part Number	Package Type	Top Code
PT2366L-MS	8 Pins, MSOP, 118mil	PT2366L

PIN CONFIGURATION



PIN DESCRIPTION

Pin Name	I/O	Description	Pin No.
/SHUTDOWN	I	Shutdown pin Entire IC into the shutdown mode when this pin connected to the GND	1
BYPASS	I	Internal bias reference bypassing	2
+IN	I	Channel input (+)	3
-IN	I	Channel input (-)	4
V _{O1}	O	Channel output (-)	5
V _{DD}	-	Supply voltage	6
GND	-	Ground	7
V _{O2}	O	Channel output (+)	8

IMPORTANT NOTICE

Princeton Technology Corporation (PTC) reserves the right to make corrections, modifications, enhancements, improvements, and other changes to its products and to discontinue any product without notice at any time.

PTC cannot assume responsibility for use of any circuitry other than circuitry entirely embodied in a PTC product. No circuit patent licenses are implied.

Princeton Technology Corp.
2F, 233-1, Baociao Road,
Sindian Dist., New Taipei City 23145, Taiwan
Tel: 886-2-66296288
Fax: 886-2-29174598
<http://www.princeton.com.tw>