



DESCRIPTION

PT2387 is a 3D Effect Audio Processor IC utilizing CMOS Technology. It features a specially designed PTC HRTFs Filter and space-enhanced circuit, thereby, guaranteeing excellent audio quality and performance. Least external components, excellent 3D effect audio output, built-in LED display driver add to the enhanced quality of PT2387. Pin assignments and application circuit are optimized for easy PCB Layout and cost saving benefits.

FEATURES

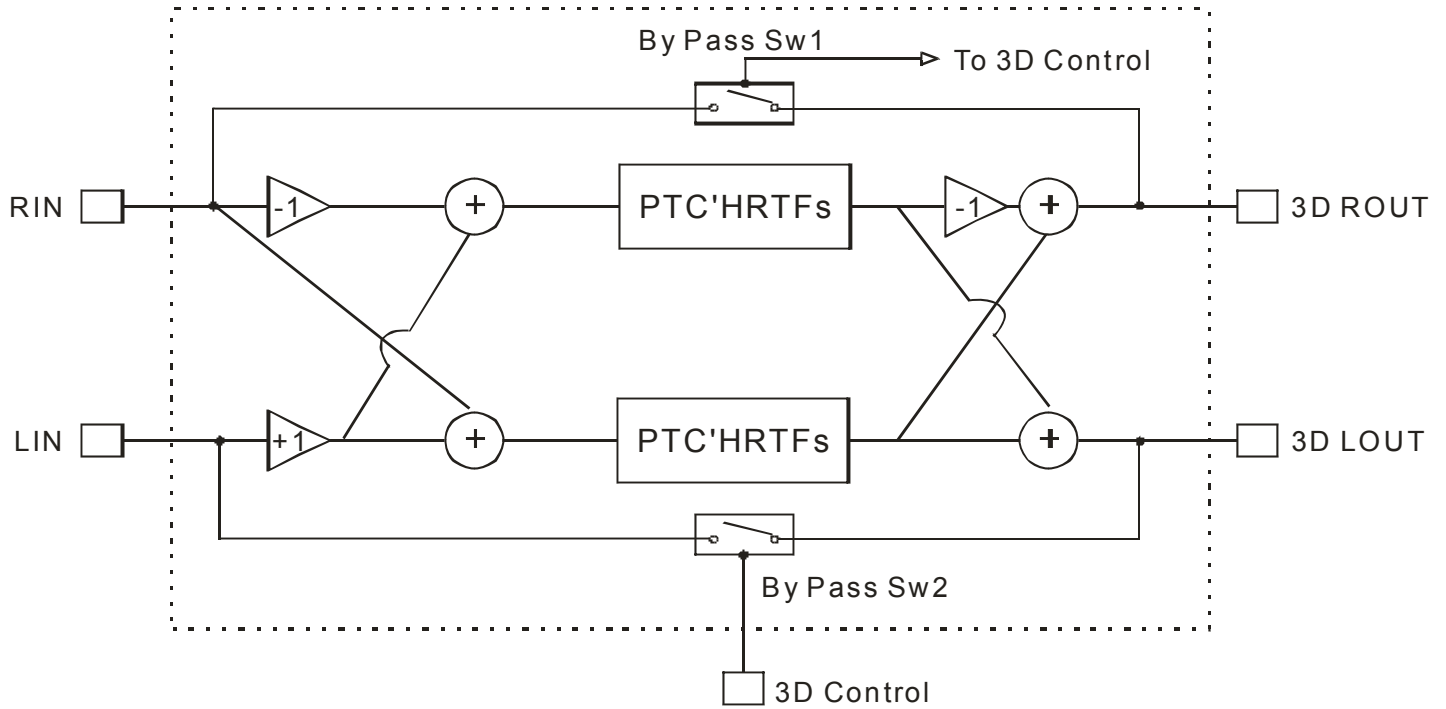
- CMOS technology
- Operating voltage range: 5V to 9 V
- THD=N<0.01%, S/N>95dB
- Specially designed PTC HRTFs filter technology and 3D space-enhanced circuit
- Least external components
- Built-in LED display driver
- Available in 8 Pins, DIP or SOP

APPLICATIONS

- Multi-media audio
- Car audio
- Walkman
- Home stereo
- TV
- PC speakers
- Notebook Computer/Laptop
- Other audio equipment

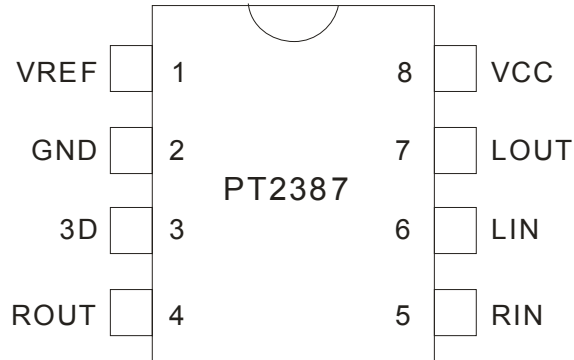


BLOCK DIAGRAM





PIN CONFIGURATION



PIN DESCRIPTION

Pin Name	I/O	Description	Pin No.
VREF	O	1/2 VCC Connect capacitor to GND	1
GND	-	Ground Pin	2
3D	I	3D Effect Control Pin	3
ROUT	O	Right Channel Output Pin	4
RIN	I	Right Channel Input Pin	5
LIN	I	Left Channel Input Pin	6
LOUT	O	Left Channel Output Pin	7
VCC	-	Positive Power Supply	8