

DESCRIPTION

The PT2392 is a CMOS IC that has a microphone peripheral circuit and an echo generation circuit for karaoke use, on a single chip.

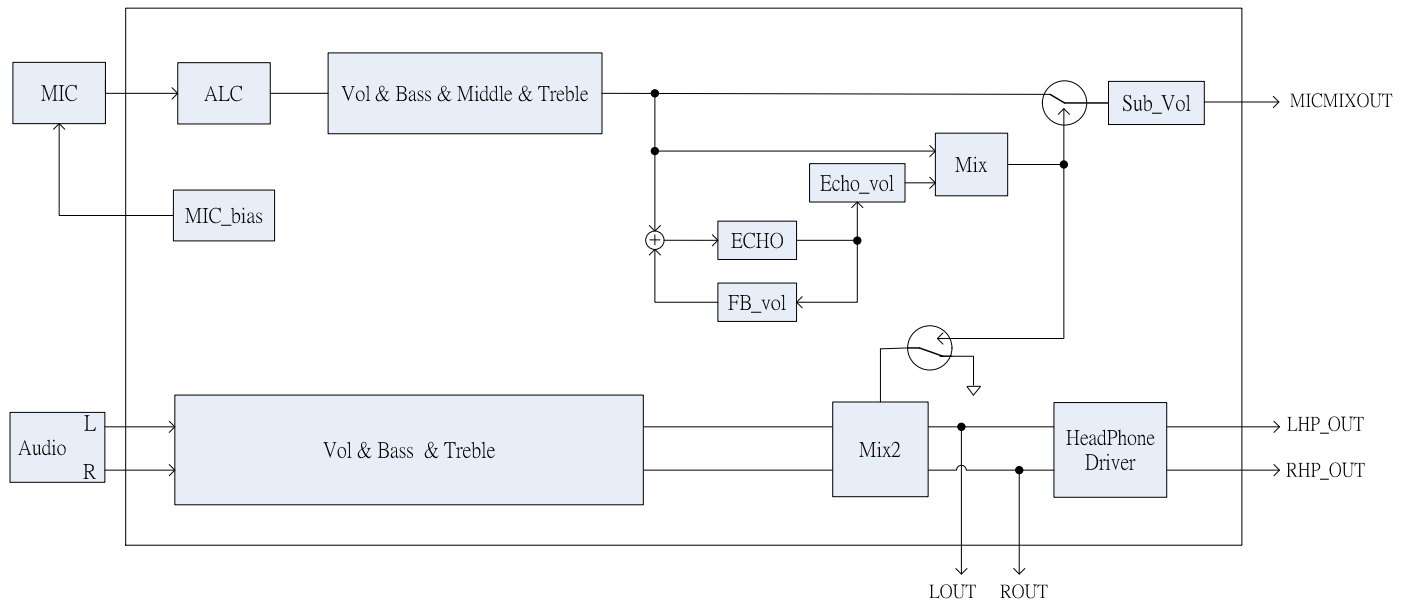
APPLICATIONS

- Wireless Microphone
- Karaoke System
- Consumer Audio Applications
- Car Entertainment System

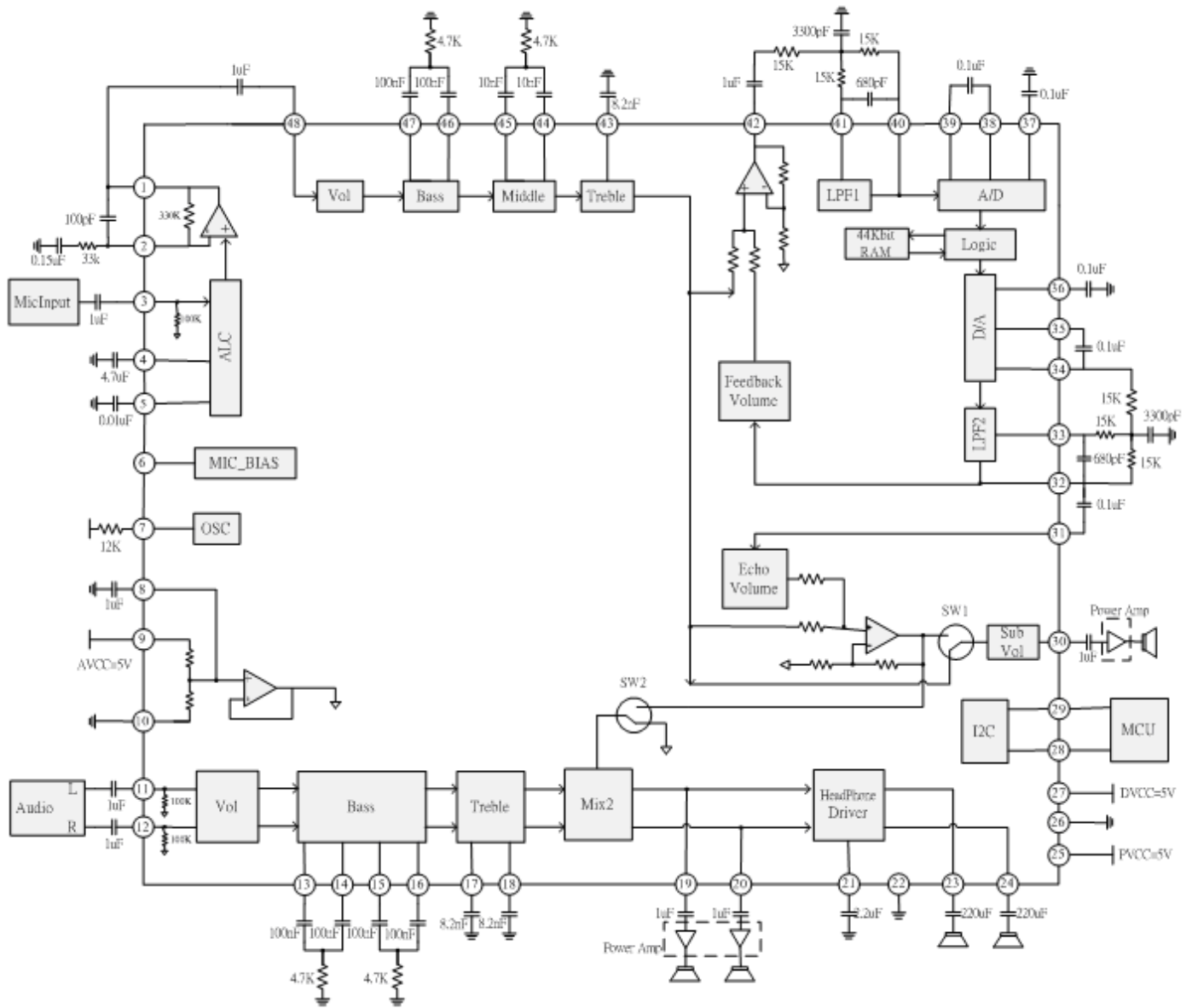
FEATURES

- High-performance digital echo circuit using 44-Kbit RAM.
- wide delay time from 45 to 333ms in 22ms/step(typ.)
- A mic amplifier with an ALC makes it possible to handle overload input, and the ALC operating voltage are controlled by I²C Bus or externally set to the desired value.
- Built-in vol, bass,middle,treble,echo_vol, fb_volume,sub_vol and controlled by I²C Bus .
- Built-in HP Driver and DEPOP.
- Built-in MIC_bias.
- Internal micmixing amplifier.
- Master volume from +15dB to -79dB in 1dB/step.
- bass,middle,treble from +15dB to -15dB in 1dB/step.
- echo_vol ,sub_vol from 0dB to -28dB in 2dB/step.
- fb_vol from -2dB to -8dB in 1dB/step.

BLOCK DIAGRAM



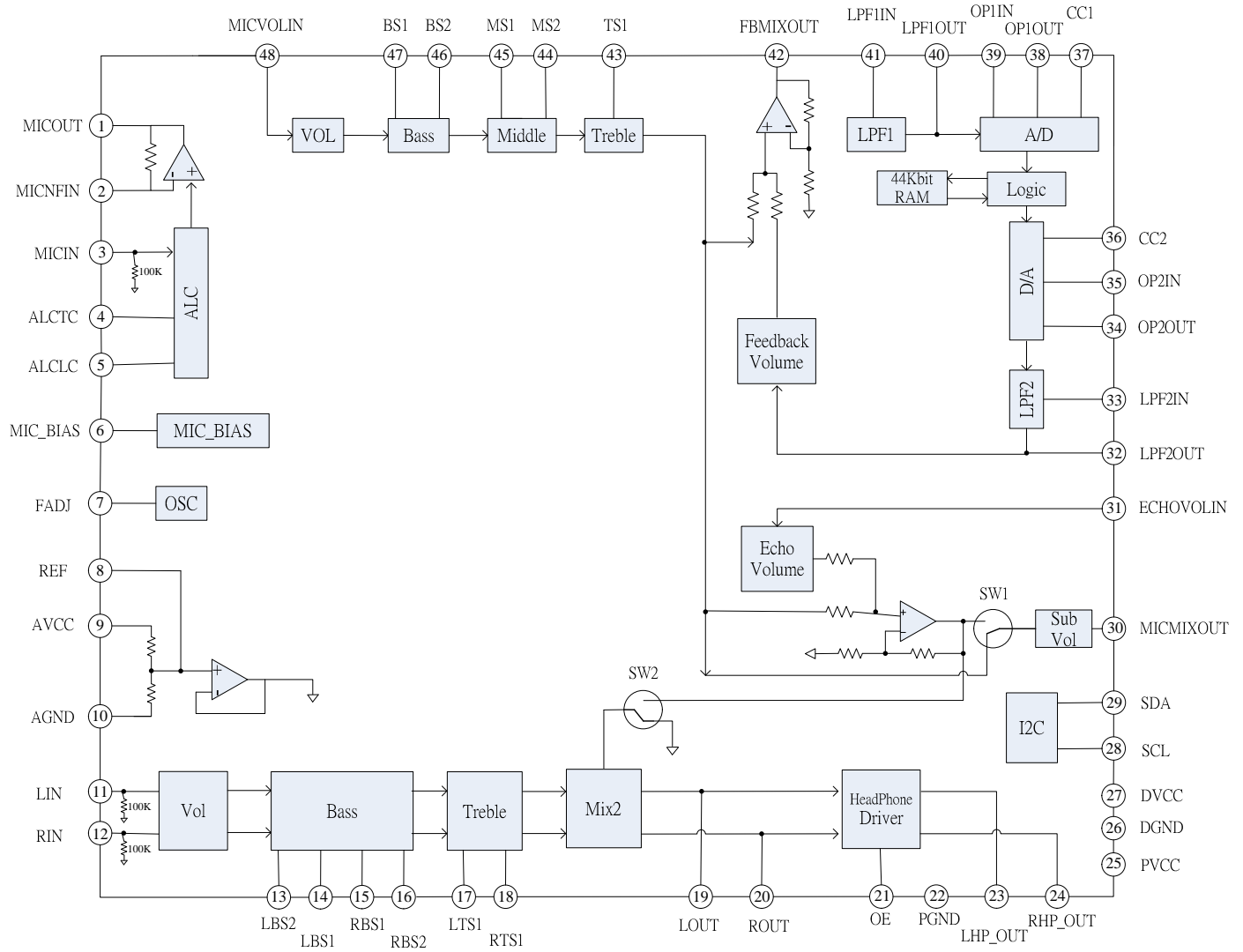
APPLICATION EXAMPLE



ORDER INFORMATION

Valid Part Number	Package Type	Top Code
PT2392-LQ	48 Pins, LQFP	PT2392-LQ

PIN CONFIGURATION





PIN DESCRIPTION

Pin Name	I/O	Description	Pin No.
MICOUT	O	Microphone signal output	1
MICNFIN	-	External resistor for MIC gain setting	2
MICIN	I	Microphone input	3
ALCTC	-	External Capacitor for ALC function time control	4
ALCLC	-	External adjust for ALC level control	5
MICBIAS	I	Supply Voltage to MIC	6
FADJ	-	External resistor (12KΩ) connecting to VCC for system clock.	7
VREF	-	Analog reference voltage (1/2VCC)	8
AVCC	-	Analog supply voltage input	9
AGND	-	Analog power ground	10
LIN	I	Left channel input	11
RIN	I	Right channel input	12
LBS2	O	Left channel bass cap1	13
LBS1	I	Left channel bass cap2	14
RBS1	I	Right channel bass cap1	15
RBS2	O	Right channel bass cap2	16
LTS1	I	Left channel treble cap	17
RTS1	I	Right channel treble cap	18
LOUT	O	Left channel output	19
ROUT	O	Right channel output	20
OE	I	Out Enable setting, connect a cap to gnd	21
PGND	-	Headphone driver power ground	22
LHPOUT	O	Left channel headphone driver output	23
RHPOUT	O	Right channel headphone driver output	24
PVCC	-	Headphone driver supply voltage input	25
DGND	-	Digital power ground	26
DVCC	-	Digital supply voltage input	27
SCL	I	I ² C clock input	28
SDA	I	I ² C data input	29
MICMIXOUT	O	Output signal of main channel & ECHO mixing	30
ECHOVOLIN	I	Echo Sound signal input for mixing	31
LPF2OUT	O	Lowpass filter 2 input	32
LPF2IN	I	Lowpass filter 2 output	33
OP2OUT	O	OP Amplifier 2 input/output. These pin can be used as Modulated/	34
OP2IN	I	Demodulated Integrator by connecting Capacitor	35
CC2	-	Current control 2	36
CC1	-	Current control 1	37
OP1OUT	O	OP amplifier 1 input/output. These pin can be used as modulated/	38
OP1IN	I	Demodulated integrator by connecting capacitor	39
LPF1OUT	O	Lowpass filter 1 input	40
LPF1IN	I	Lowpass filter 1 output	41
FBMIXOUT	O	Output signal of main channel & FB mixing	42
TS1	I	Main channel treble cap	43
MS2	O	Main channel middle cap2	44
MS1	I	Main channel middle cap1	45
BS2	O	Main channel bass cap2	46
BS1	I	Main channel bass cap1	47
MICVOLIN	I	Main channel volume input	48

IMPORTANT NOTICE

Princeton Technology Corporation (PTC) reserves the right to make corrections, modifications, enhancements, improvements, and other changes to its products and to discontinue any product without notice at any time.

PTC cannot assume responsibility for use of any circuitry other than circuitry entirely embodied in a PTC product. No circuit patent licenses are implied.

Princeton Technology Corp.
2F, 233-1, Baociao Road,
Sindian Dist., New Taipei City 23145, Taiwan
Tel: 886-2-66296288
Fax: 886-2-29174598
<http://www.princeton.com.tw>