

DESCRIPTION

The PT2929 is a class AB Audio Power Amplifier designed for high performance car audio applications. Simplified application circuits need few components to support normal operation. The fully complementary N - P type devices output configuration allows the PT2929 could drives rail to rail output swing with no need of bootstrap capacitors.

Thanks for compact and high heat dissipation package, the PT2929 only occupies a small PCB footprint, it is the best choice for a modern car audio system.

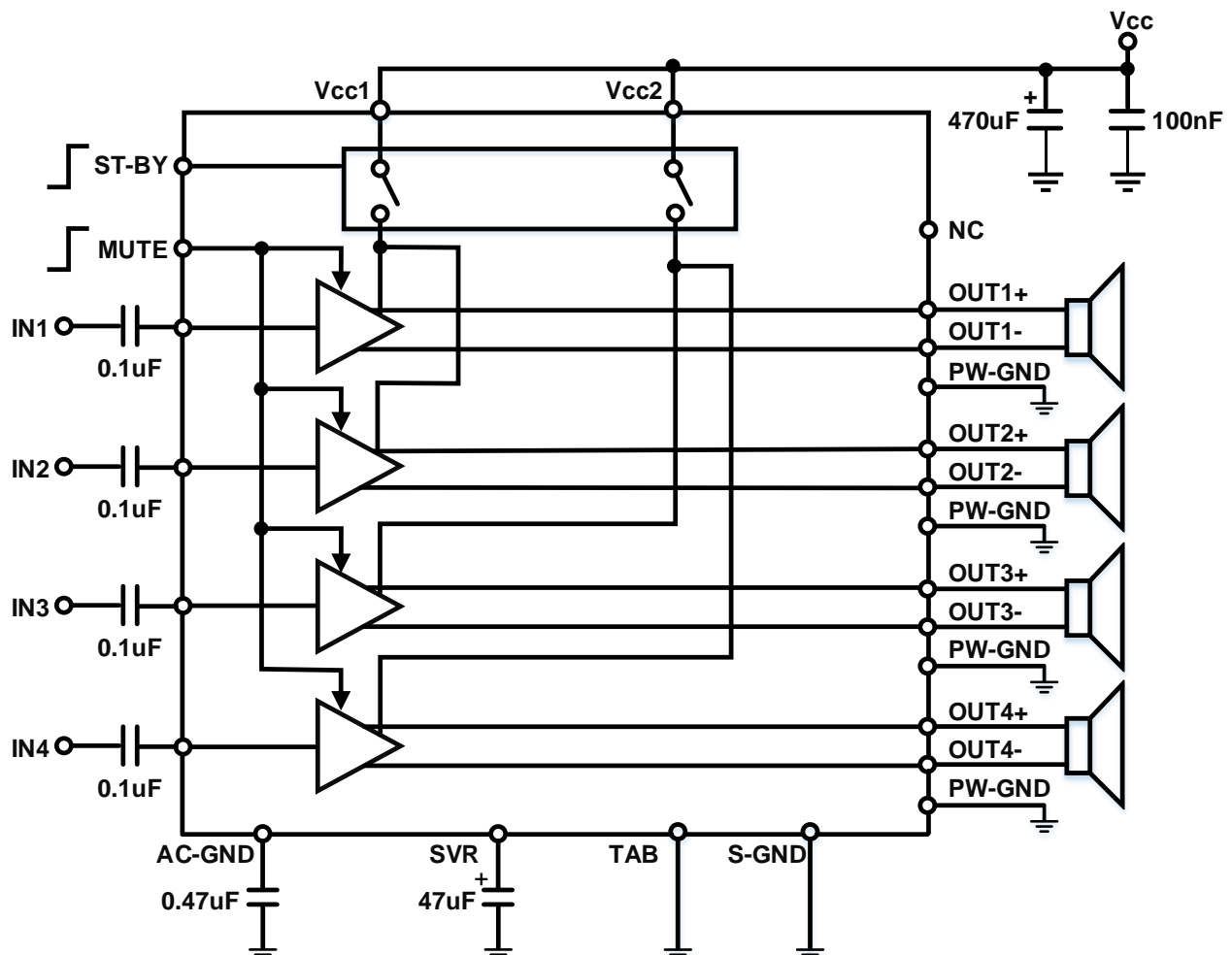
APPLICATIONS

- Car Audio Equipment

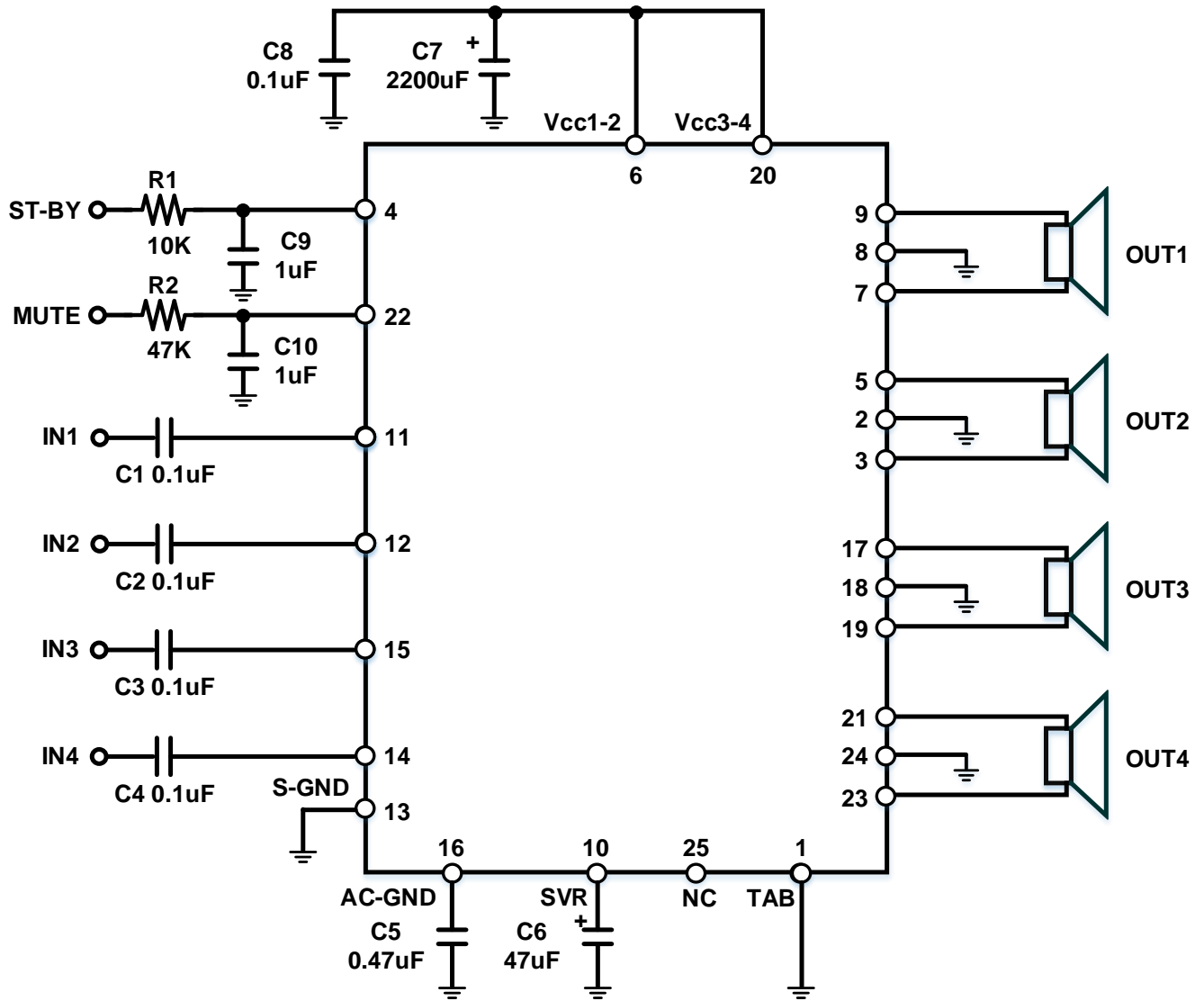
FEATURES

- High output power capability:
 - 4 x 45W/4Ω Max.(Saturated square wave)
 - 4 x 25W/4Ω @ 14.4V, 1KHz, THD=10%
- Low distortion
- Low output noise
- Stand-By function
- MUTE function
- Under voltage Auto output mute
- Internally fixed voltage gain (26dB, BTL)
- Output over current protection, includes output short circuit to GND, to Vcc or heavy load.
- Over temperature protection
- Stop/Start-car prepared: Keeps operating without audible disturbance during engine start at a battery voltage as low as 6V.
- AEC-Q100 Grade 3 Complaint for Automotive Applications

BLOCK DIAGRAM



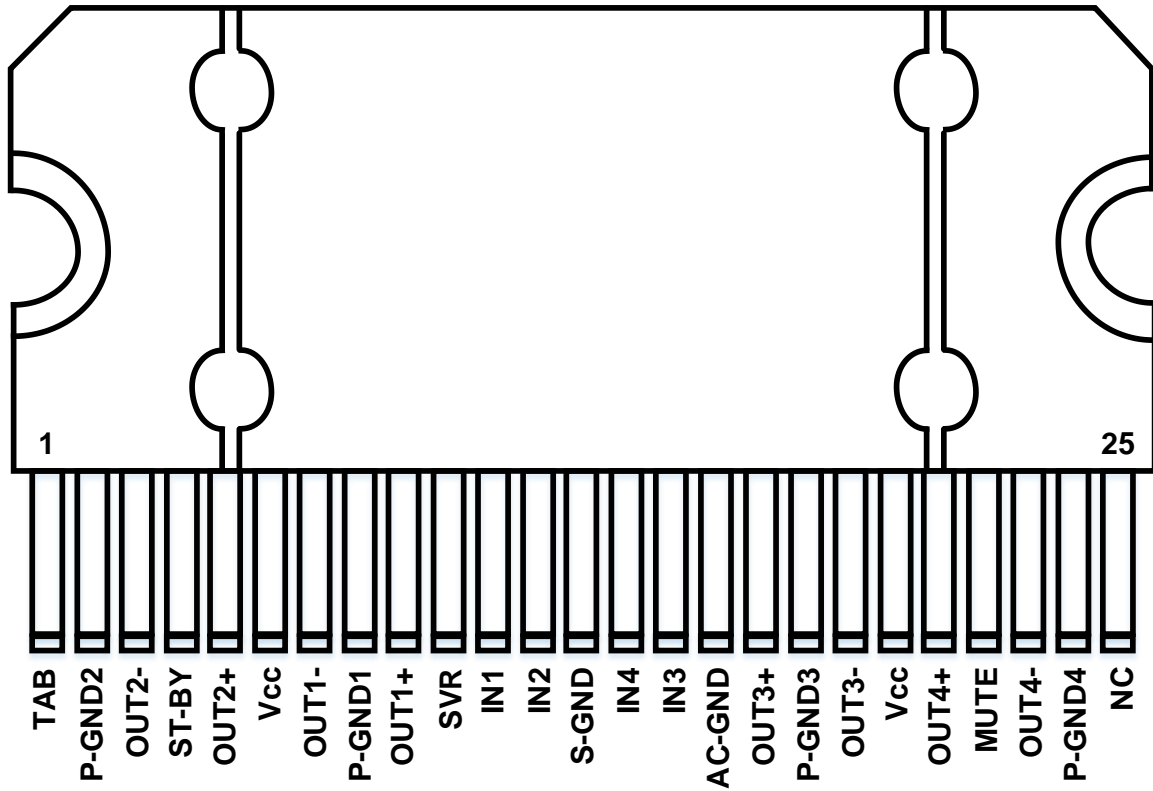
APPLICATION CIRCUIT



ORDER INFORMATION

Valid Part Number	Package Type	Top Code
PT2929	FZIP-25	PT2929

PIN CONFIGURATION



IMPORTANT NOTICE

Princeton Technology Corporation (PTC) reserves the right to make corrections, modifications, enhancements, improvements, and other changes to its products and to discontinue any product without notice at any time.

PTC cannot assume responsibility for use of any circuitry other than circuitry entirely embodied in a PTC product. No circuit patent licenses are implied.

Princeton Technology Corp.
2F, 233-1, Baociao Road,
Sindian Dist., New Taipei City 23145, Taiwan
Tel : 886-2-66296288
Fax: 886-2-29174598
<http://www.princeton.com.tw>