

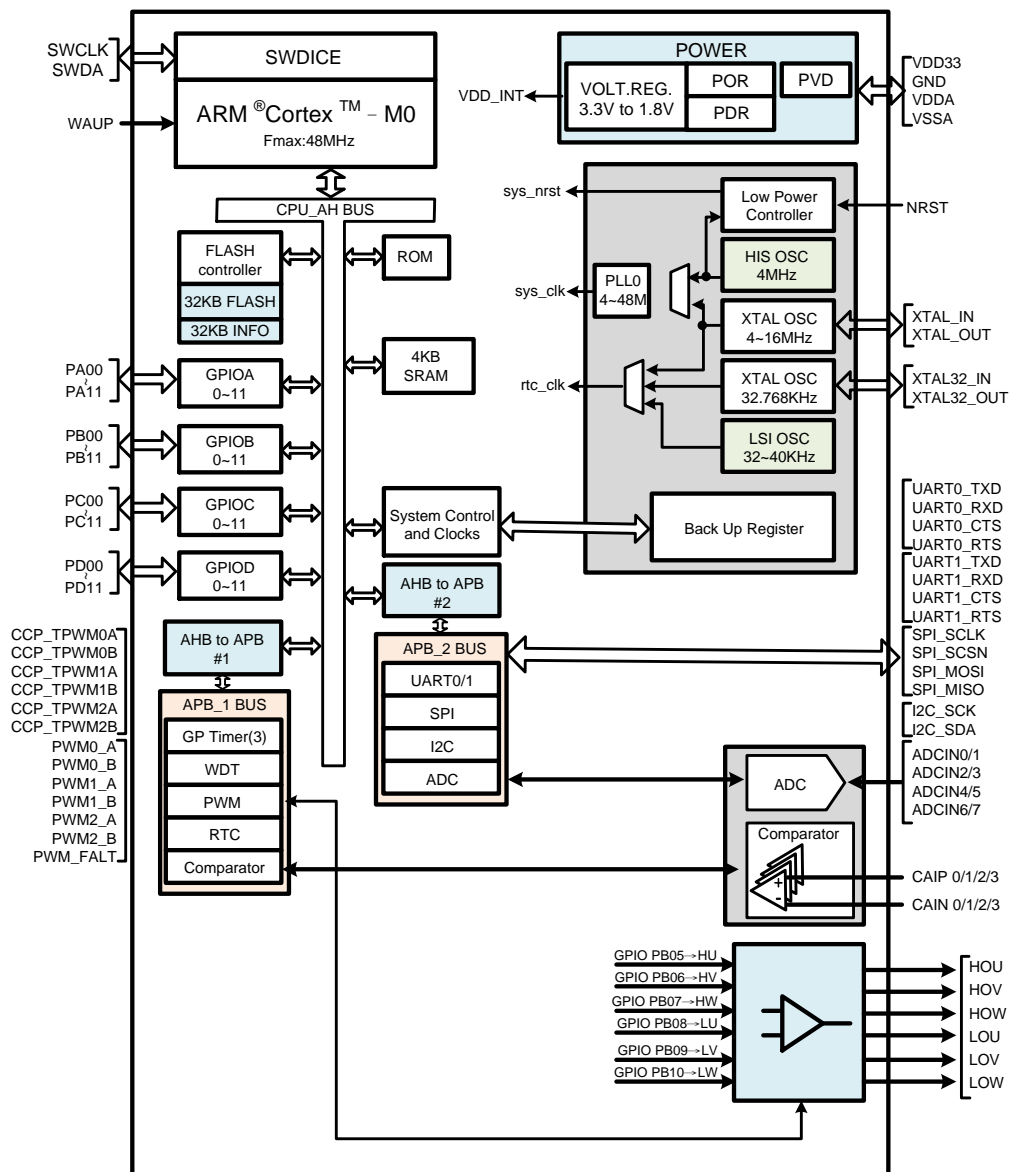
DESCRIPTION

The PT32M621 is a SiP (System in Package) with mcu and a motor gate driver. The PT32M621 microcontroller is a series of low-power microcontroller incorporating a high-performance ARM Cortex™-M0 32-bit RISC core. It operates at a maximum 48MHz frequency and features up to 32Kbytes of Flash and up to 4Kbytes of SRAM. PT5671 is a gate driver with 6 N-channel power MOSFETs.

FEATURES

- ARM Cortex M0 Processor
- Performance up to 48 MHz
- Flash Memory 32K-Byte
- System SRAM 4K-Byte
- Gate driver 36V
- 6 N-channel power MOSFETs
- PWM Mode control logic

BLOCK DIAGRAM



IMPORTANT NOTICE

Princeton Technology Corporation (PTC) reserves the right to make corrections, modifications, enhancements, improvements, and other changes to its products and to discontinue any product without notice at any time.

PTC cannot assume responsibility for use of any circuitry other than circuitry entirely embodied in a PTC product. No circuit patent licenses are implied.

Princeton Technology Corp.
2F, 233-1, Baociao Road,
Sindian Dist., New Taipei City 23145, Taiwan
Tel: 886-2-66296288
Fax: 886-2-29174598
<http://www.princeton.com.tw>