

DESCRIPTION

The devices are full bridge drivers to control power devices like MOS-transistors or IGBTs in 3-phase systems with a maximum blocking voltage of +600 V. The six independent drivers are controlled at the low-side using CMOS and LSTTL compatible signals, down to 3.3V logic. The device includes an under-voltage detection unit with hysteresis characteristic and over-current detection. The over-current level is adjusted by choosing the resistor value and the threshold level at pin ITRIP. Both error conditions (under-voltage and over-current) lead to a definite shut down of all six switches. An error signal is provided at the $\overline{\text{FAULT}}$ open drain output pin. The blocking time after over-current can be adjusted with an RC-network at pin RCIN. The input RCIN owns an internal current source of 2 μ A. Therefore, the resistor R_{RCIN} is optional. The typical output current can be given with 200mA for pull-up and 400mA for pull down. Because of system safety reasons a 0.5 μ s dead time has been realized. The function of inputs EN and ITRIP can optionally be extended with over-temperature detection, using an external NTC resistor, diodes and resistor network.

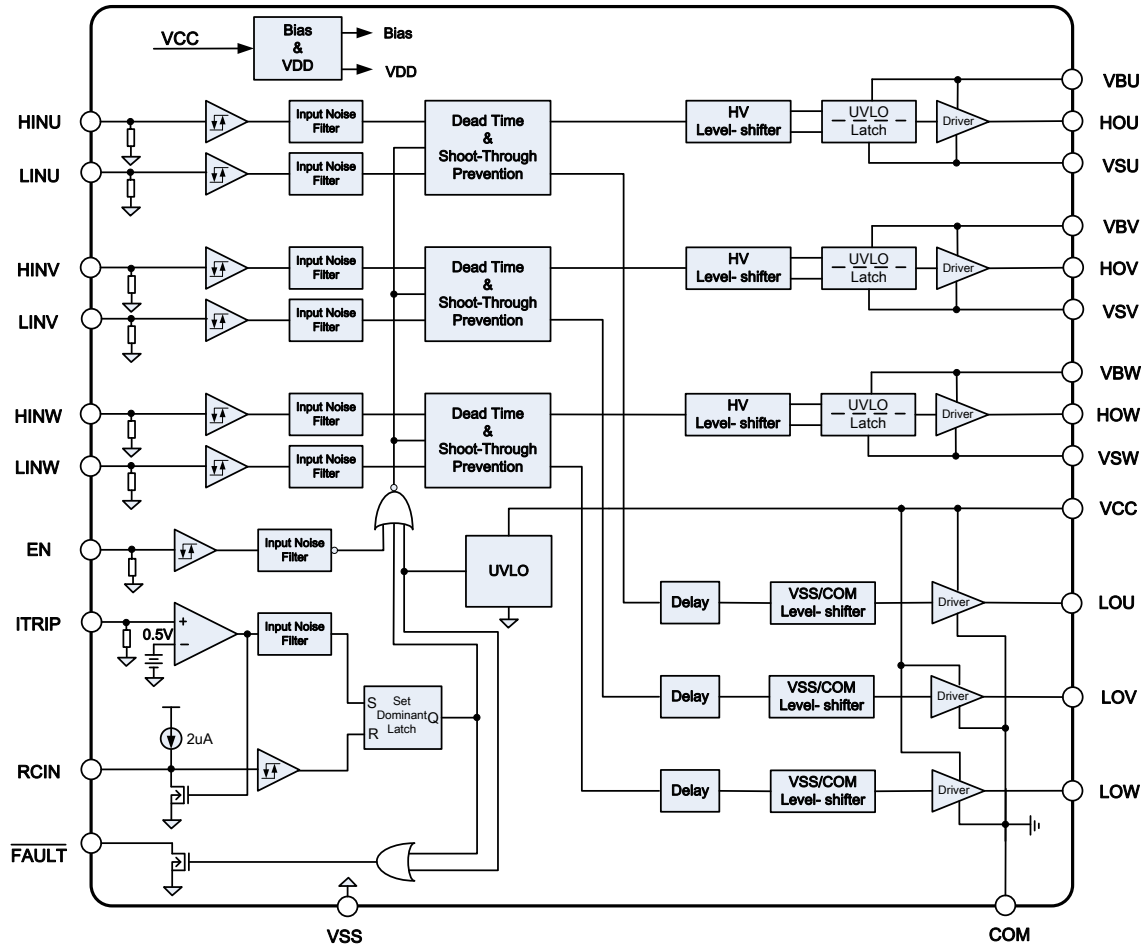
APPLICATIONS

- Appliance motor drives—air conditioners, washing machines, refrigerator, dish washer, Fans
- Servo drives
- Industrial inverters. General purpose three phase inverters

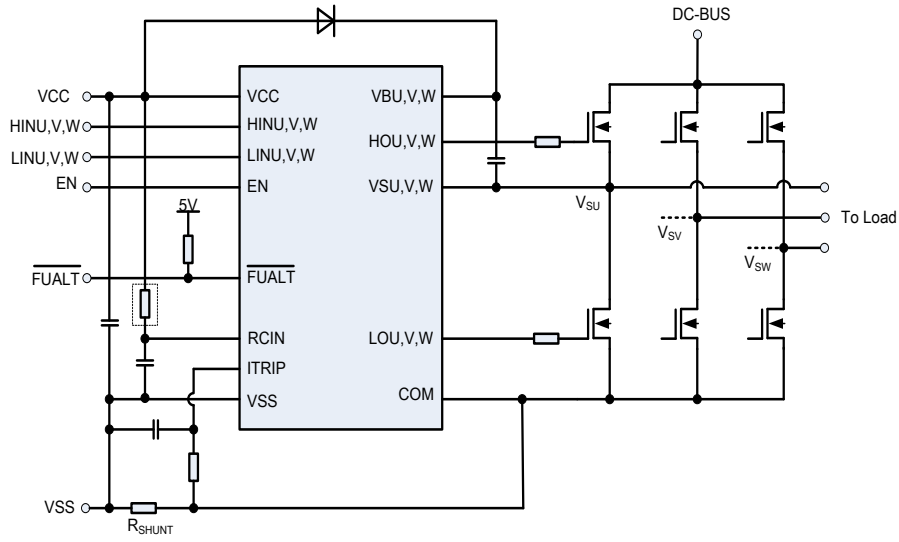
FEATURES

- Drives up to six IGBT/MOSFET power devices
- All high side channels fully operate up to +600V
- Gate drive supplies up to 18 V per channel
- Under-voltage lockout for all channels
- Over-current protection
- Flexible over-temperature shutdown input
- Advanced input filter
- Built-in dead-time protection
- Shoot-through (cross-conduction) protection
- Independent Enable/disable input and fault reporting
- Shut down all switches during error conditions
- Adjustable fault clear timing
- Separate logic and power grounds
- 3.3 V/5V input logic compatible (positive logic)
- Designed for use with bootstrap power supplies
- Matched propagation delays for all channels
- Matched dead time
- -40°C to 125°C operating range
- SOP28/SOP32 Package available
- Lead-free

BLOCK DIAGRAM



TYPICAL APPLICATION

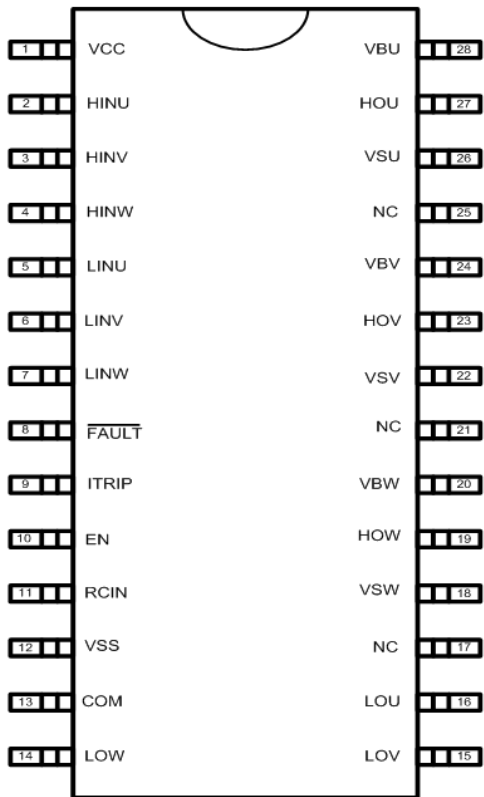


Typical connection of 3-phase HV motor driver

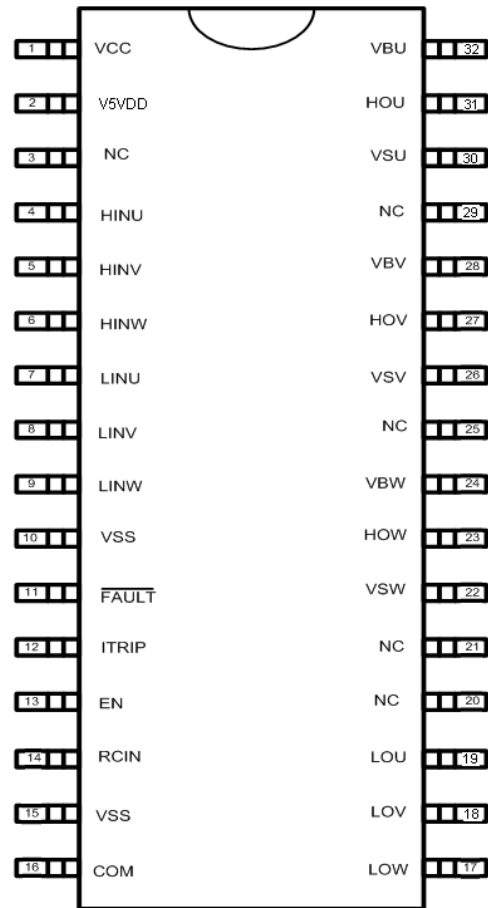
ORDER INFORMATION

Valid Part Number	Package Type	Top Code
PT5616-S	SOP28, 300MIL	PT5616-S
PT5616-S1	SOP32, 300MIL	PT5616-S1

PIN CONFIGURATION



SOP28



SOP32



PIN DESCRIPTION

Pin Name	Description	Pin No.	
		SOP28	SOP32
VCC	Logic and low-side gate drivers power supply voltage	1	1
V5V	5V LDO output	-	2
NC.	Not Connected	-	3
HINU	Logic inputs for high-side gate driver outputs (phase U); input is in-phase with output	2	4
HINV	Logic inputs for high-side gate driver outputs (phase V); input is in-phase with output	3	5
HINW	Logic inputs for high-side gate driver outputs (phase W); input is in-phase with output	4	6
LINU	Logic inputs for low-side gate driver outputs (phase U); input is in-phase with output	5	7
LINV	Logic inputs for low-side gate driver outputs (phase V); input is in-phase with output	6	8
LINW	Logic inputs for low-side gate driver outputs (phase W); input is in-phase with output	7	9
VSS	Logic ground	-	10
$\overline{\text{FAULT}}$	Indicates over-current, over-temperature (ITRIP), or low-side under-voltage lockout has occurred. This pin has negative logic and an open-drain output. The use of over-current and over-temperature protection requires the use of external components.	8	11
ITRIP	Analog input for over-current shutdown. When active, ITRIP shuts down outputs and activates $\overline{\text{FAULT}}$ and RCIN low. When ITRIP becomes inactive, $\overline{\text{FAULT}}$ stays active low for an externally set time t_{FLTCLR} , then automatically becomes inactive (open-drain high impedance).	9	12
EN	Logic input to shutdown functionality. Logic functions when EN is high (i.e., positive logic). No effect on $\overline{\text{FAULT}}$ and not latched. EN can also be extended as input of over-temperature protection when equipped with an external NTC resistor.	10	13
RCIN	An external RC network input used to define the FAULT CLEAR delay (t_{FLTCLR}) approximately equal to $R \cdot C$. When $\text{RCIN} > 8 \text{ V}$, the $\overline{\text{FAULT}}$ pin goes back into an open-drain high-impedance state.	11	14
VSS	Logic ground	12	15
COM	Low-side gate drive return	13	16
LOW	Low-side gate driver W-phase output	14	17
LOV	Low-side gate driver V-phase output	15	18
LOU	Low-side gate driver U-phase output	16	19
NC.	Not Connected	-	20
NC.	Not Connected	17	21
VSW	High-side driver W-phase floating supply offset voltage	18	22
HOW	High-side driver W-phase gate driver output	19	23
VBW	High-side driver W-phase floating supply	20	24
NC.	Not Connected	21	25
VSV	High-side driver V-phase floating supply offset voltage	22	26
HOV	High-side driver V-phase gate driver output	23	27
VBV	High-side driver V-phase floating supply	24	28
NC.	Not Connected	25	29
VSU	High-side driver U-phase floating supply offset voltage	26	30
HOU	High-side driver U-phase gate driver output	27	31
VBU	High-side driver U-phase floating supply	28	32

IMPORTANT NOTICE

Princeton Technology Corporation (PTC) reserves the right to make corrections, modifications, enhancements, improvements, and other changes to its products and to discontinue any product without notice at any time.

PTC cannot assume responsibility for use of any circuitry other than circuitry entirely embodied in a PTC product. No circuit patent licenses are implied.

Princeton Technology Corp.
2F, 233-1, Baociao Road,
Sindian Dist., New Taipei City 23145, Taiwan
Tel: 886-2-66296288
Fax: 886-2-29174598
<http://www.princeton.com.tw>