

## DESCRIPTION

The devices are full bridge drivers to control power devices like MOS-transistors or IGBTs in 3-phase systems with a maximum blocking voltage of +600 V. The six independent drivers are controlled at the low-side using CMOS and LSTTL compatible signals, down to 3.3V logic. The device includes an under-voltage detection unit with hysteresis characteristic and over-current detection. The over-current level is adjusted by choosing the resistor value and the threshold level at pin ITRIP. Both error conditions (under-voltage and over-current) lead to a definite shut down of all six switches. An error signal is provided at the  $\overline{\text{FAULT}}$  open drain output pin. The blocking time after over-current can be adjusted with an RC-network at pin RCIN. Therefore, the resistor  $R_{\text{RCIN}}$  is optional. The typical output current can be given with 200mA for pull-up and 400mA for pull down. Because of system safety reasons a 0.29us dead time has been realized. The function of inputs EN and ITRIP can optionally be extended with over-temperature detection, using an external NTC resistor, diodes and resistor network.

## APPLICATIONS

- Appliance motor drives—air conditioners, washing machines, refrigerator, dish washer, Fans
- Servo drives
- Industrial inverters. General purpose three phase inverters

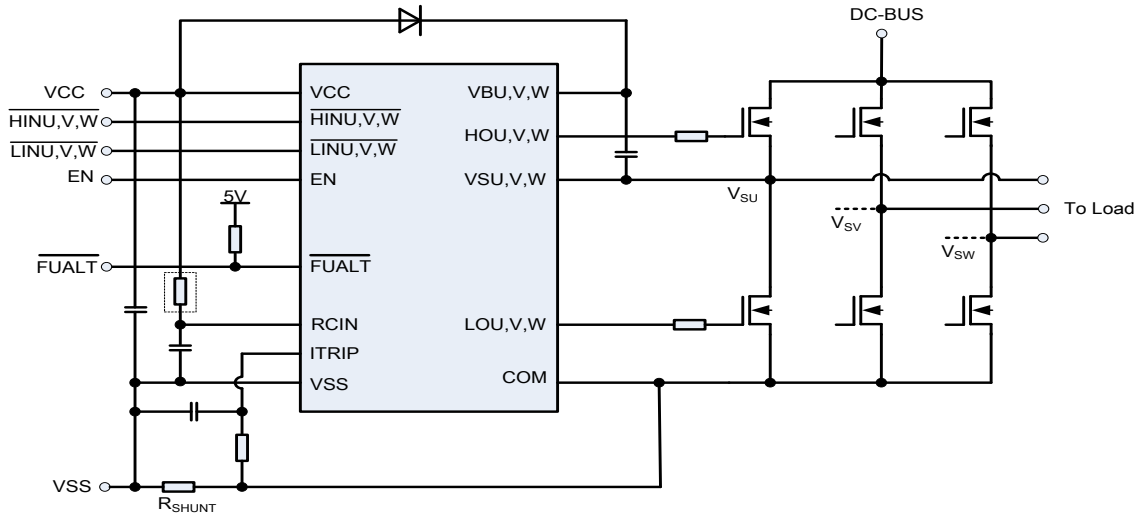
## FEATURES COMPARISON

Part	Input Logic	Dead Time	$t_{\text{ON}}$	$t_{\text{OFF}}$	$V_{\text{CCUV+}}$	$V_{\text{CCUV-}}$
PT5616	LIN/HIN	500ns	600ns	600ns	9.5V	9V
PT5616A	$\overline{\text{LIN}}/\overline{\text{HIN}}$	290ns	500ns	480ns	8.9V	8.2V

## FEATURES

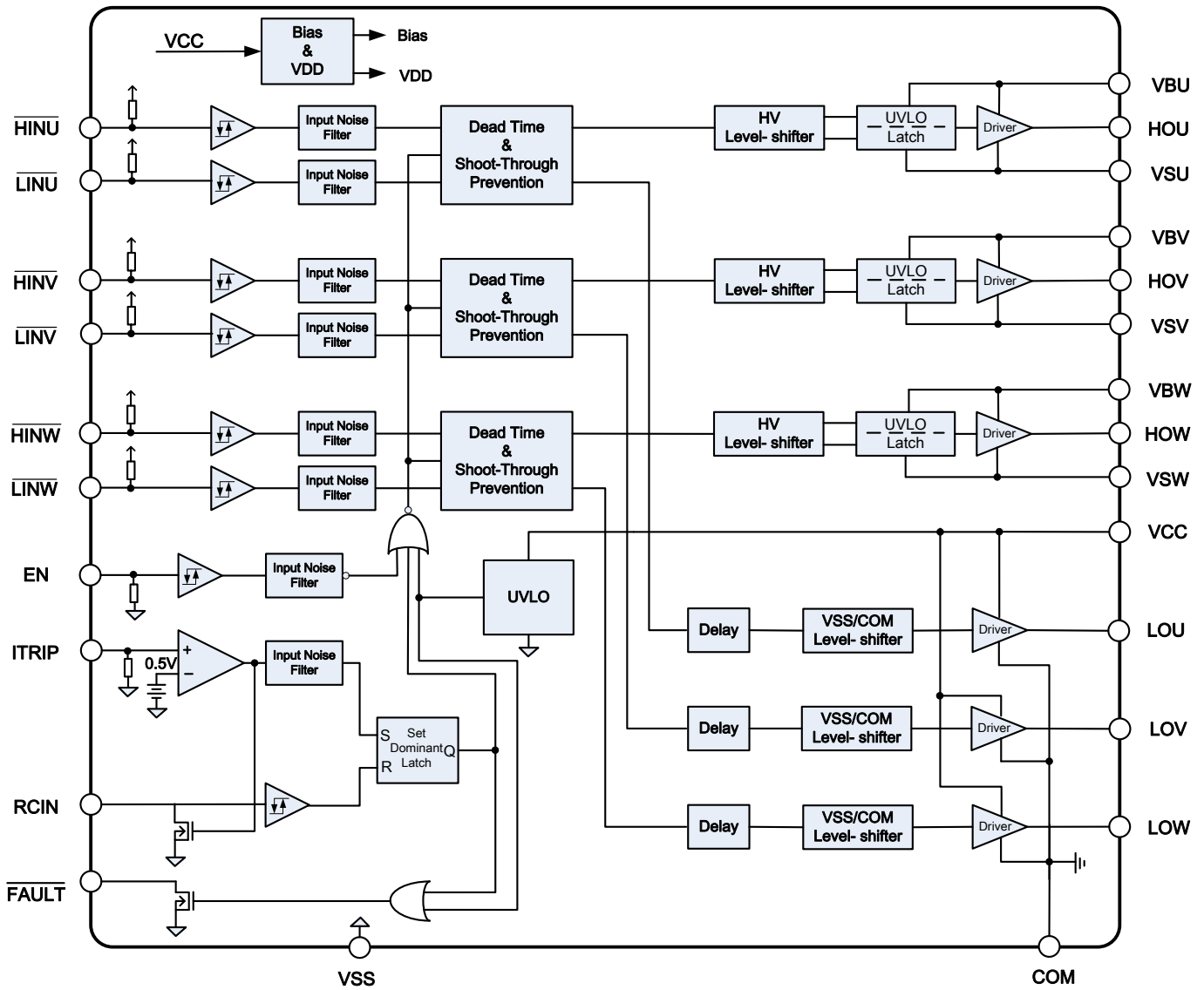
- Drives up to six IGBT/MOSFET power devices
- All high side channels fully operate up to +600V
- Gate drive supplies up to 18 V per channel
- Under-voltage lockout for all channels
- Over-current protection
- Flexible over-temperature shutdown input
- Advanced input filter
- Built-in dead-time protection
- Shoot-through (cross-conduction) protection
- Independent Enable/disable input and fault reporting
- Shut down all switches during error conditions
- Adjustable fault clear timing
- Separate logic and power grounds
- 3.3 V/5V input logic compatible (positive logic)
- Designed for use with bootstrap power supplies
- Matched propagation delays for all channels
- Matched dead time
- -40°C to 125°C operating range
- SOP28 Package available
- Lead-free

# TYPICAL APPLICATION



Typical connection of 3-phase HV motor driver

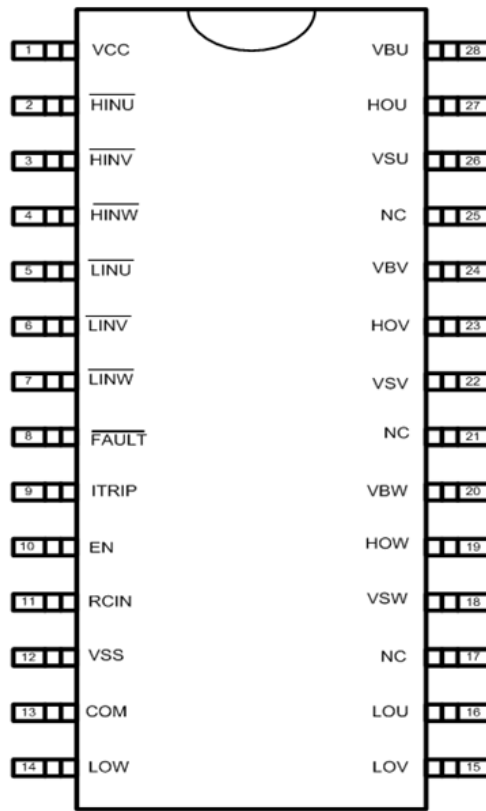
# BLOCK DIAGRAM



## ORDER INFORMATION

Valid Part Number	Package Type	Top Code
PT5616A-S	SOP28, 300MIL	PT5616A-S

## PIN CONFIGURATION



SOP28



## PIN DESCRIPTION

Pin Name	Description	Pin No.
VCC	Logic and low-side gate drivers power supply voltage	1
$\overline{\text{HINU}}$	Logic inputs for high-side gate driver outputs (phase U); input is out-phase with output	2
$\overline{\text{HINV}}$	Logic inputs for high-side gate driver outputs (phase V); input is out -phase with output	3
$\overline{\text{HINW}}$	Logic inputs for high-side gate driver outputs (phase W); input is out -phase with output	4
$\overline{\text{LINU}}$	Logic inputs for low-side gate driver outputs (phase U); input is out -phase with output	5
$\overline{\text{LINV}}$	Logic inputs for low-side gate driver outputs (phase V); input is out -phase with output	6
$\overline{\text{LINW}}$	Logic inputs for low-side gate driver outputs (phase W); input is out -phase with output	7
$\overline{\text{FAULT}}$	Indicates over-current, over-temperature (ITRIP), or low-side under-voltage lockout has occurred. This pin has negative logic and an open-drain output. The use of over-current and over-temperature protection requires the use of external components.	8
ITRIP	Analog input for over-current shutdown. When active, ITRIP shuts down outputs and activates $\overline{\text{FAULT}}$ and RCIN low. When ITRIP becomes inactive, $\overline{\text{FAULT}}$ stays active low for an externally set time $t_{\text{FLTCLR}}$ , then automatically becomes inactive (open-drain high impedance).	9
EN	Logic input to shutdown functionality. Logic functions when EN is high (i.e., positive logic). No effect on $\overline{\text{FAULT}}$ and not latched. EN can also be extended as input of over-temperature protection when equipped with an external NTC resistor.	10
RCIN	An external RC network input used to define the $\overline{\text{FAULT}}$ CLEAR delay ( $t_{\text{FLTCLR}}$ ) approximately equal to $R \cdot C$ . When $\text{RCIN} > 8 \text{ V}$ , the $\overline{\text{FAULT}}$ pin goes back into an open-drain high-impedance state.	11
VSS	Logic ground	12
COM	Low-side gate drive return	13
LOW	Low-side gate driver W-phase output	14
LOV	Low-side gate driver V-phase output	15
LOU	Low-side gate driver U-phase output	16
NC.	Not Connected	17
VSW	High-side driver W-phase floating supply offset voltage	18
HOW	High-side driver W-phase gate driver output	19
VBW	High-side driver W-phase floating supply	20
NC.	Not Connected	21
VSV	High-side driver V-phase floating supply offset voltage	22
HOV	High-side driver V-phase gate driver output	23
VBV	High-side driver V-phase floating supply	24
NC.	Not Connected	25
VSU	High-side driver U-phase floating supply offset voltage	26
HOU	High-side driver U-phase gate driver output	27
VBU	High-side driver U-phase floating supply	28

## **IMPORTANT NOTICE**

Princeton Technology Corporation (PTC) reserves the right to make corrections, modifications, enhancements, improvements, and other changes to its products and to discontinue any product without notice at any time.

PTC cannot assume responsibility for use of any circuitry other than circuitry entirely embodied in a PTC product. No circuit patent licenses are implied.

Princeton Technology Corp.  
2F, 233-1, Baociao Road,  
Sindian Dist., New Taipei City 23145, Taiwan  
Tel: 886-2-66296288  
Fax: 886-2-29174598  
<http://www.princeton.com.tw>