

DESCRIPTION

The PT5634A is a Power Factor Correction control IC for electronic ballast and switching mode power supply application. With a wide bandwidth error amplifier and a wide linear operating range multiplier, the PT5634A is available to operate in Critical Conduction Mode and implement a high PF and excellent THD in wide input voltage application. Furthermore, PT5634A provides a low start-up current and operating current, a precise over-voltage protection and the disable function.

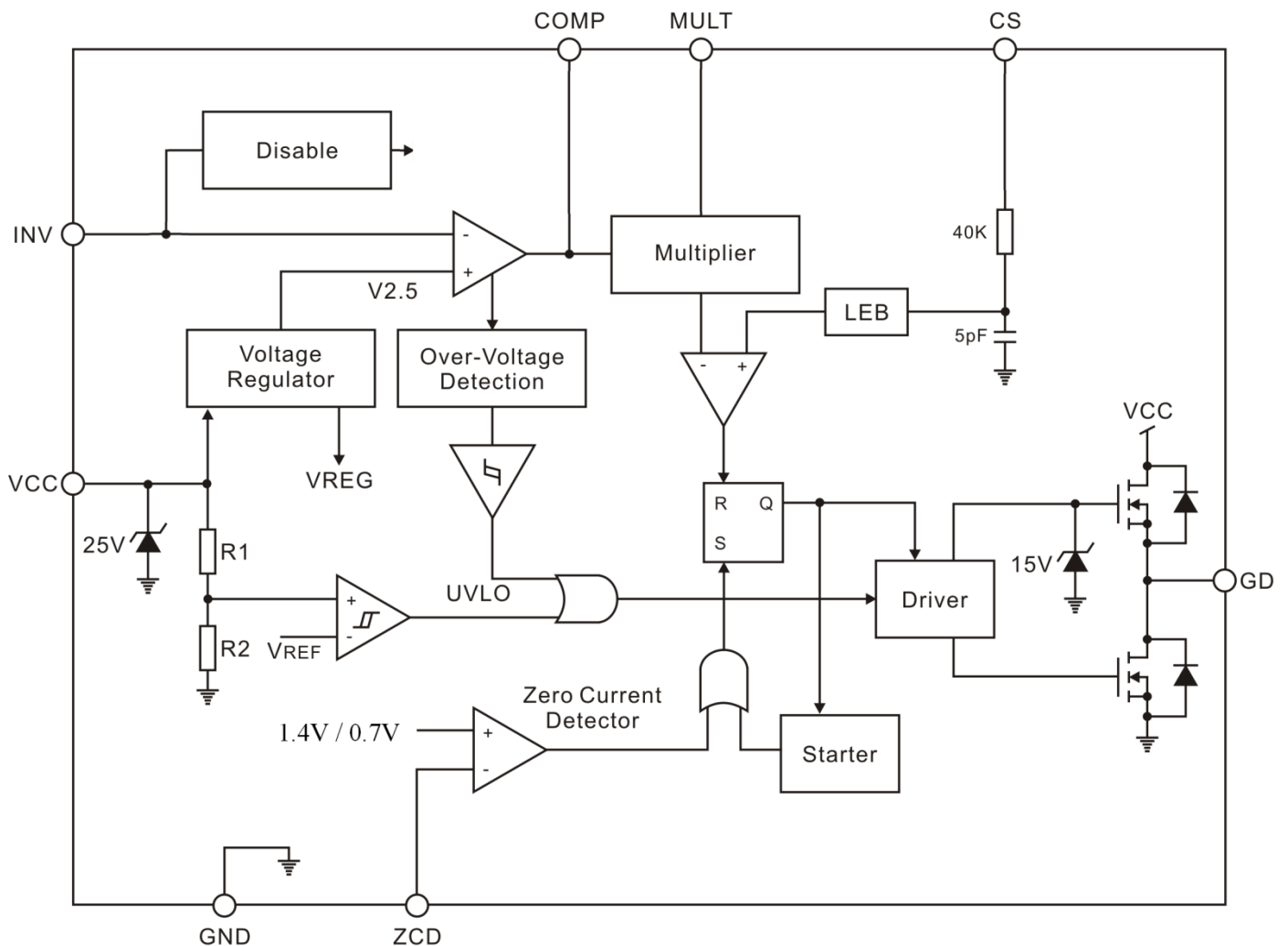
FEATURES

- Critical Conduction Mode (CRM) control
- Very low start-up current (30 μ A)
- Precise reference voltage ($\pm 1\%$)
- Precise adjustable output over-voltage protection
- Restart timer
- Leading edge blocking time
- Disable function

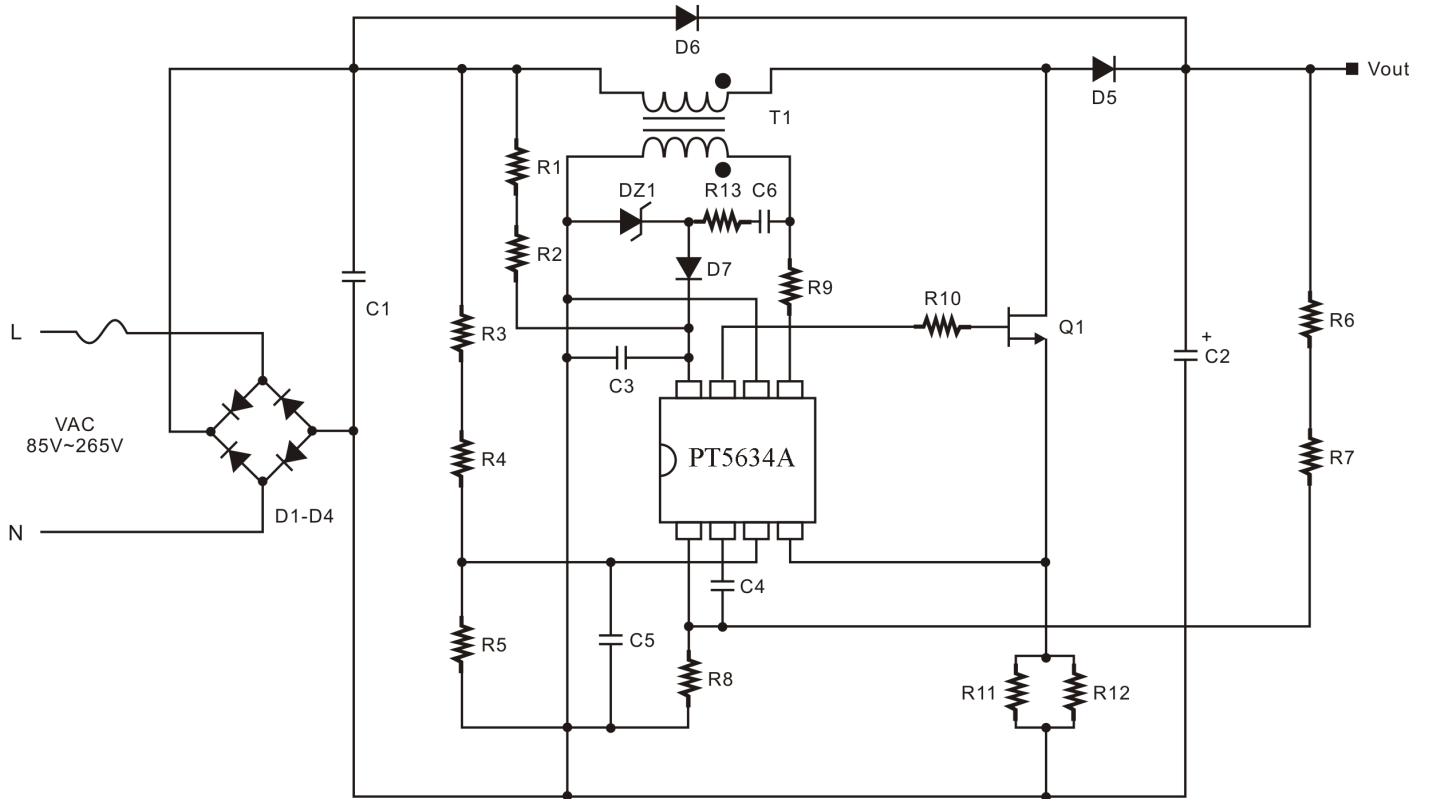
APPLICATIONS

- Electronic ballast
- AC-DC adaptor and switching mode power supply

BLOCK DIAGRAM



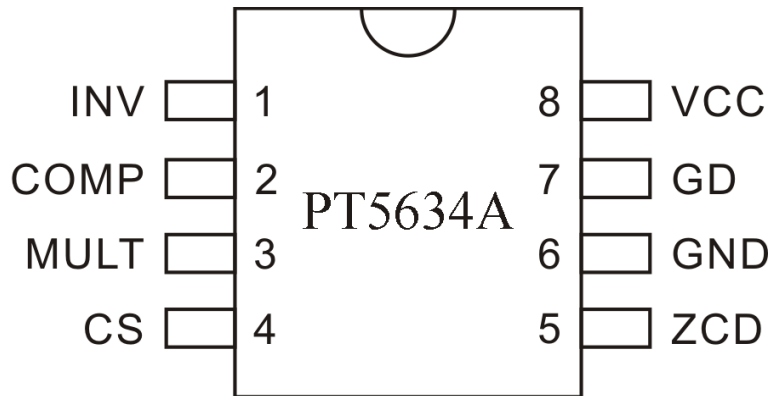
TYPICAL APPLICATION



ORDER INFORMATION

Valid Part Number	Package Type	Top Code
PT5634A-S	8 Pins, SOP, 150mil	PT5634A-S

PIN CONFIGURATION



PIN DESCRIPTION

Pin Name	Description	Pin No.
INV	Error amplifier inverting input	1
COMP	Error amplifier compensation	2
MULT	Multiplier input	3
CS	Current sense	4
ZCD	Zero current detection	5
GND	System ground	6
GD	Gate driver output	7
VCC	IC power supply	8

IMPORTANT NOTICE

Princeton Technology Corporation (PTC) reserves the right to make corrections, modifications, enhancements, improvements, and other changes to its products and to discontinue any product without notice at any time.

PTC cannot assume responsibility for use of any circuitry other than circuitry entirely embodied in a PTC product. No circuit patent licenses are implied.

Princeton Technology Corp.
2F, 233-1, Baociao Road,
Sindian Dist., New Taipei City 23145, Taiwan
Tel: 886-2-66296288
Fax: 886-2-29174598
<http://www.princeton.com.tw>