

DESCRIPTION

The PT6978X is a single-stage buck controller that achieves high power factor and accurate current for LED lighting applications. Integrated 500V (or 650V) MOSFET to decrease physical volume.

The PT6978X integrates APFC function and the high PF value is achieved by constant on-time operation mode. The PT6978X works in Quasi-Resonant switching mode, it can reduce the switching losses and improve the EMI performance.

The multi-protection features of PT6978X greatly enhance the system reliability and safety. The PT6978X provides input over voltage protection, short LED protection, open LED protection, over temperature protection, cycle-by-cycle current limiting, etc.

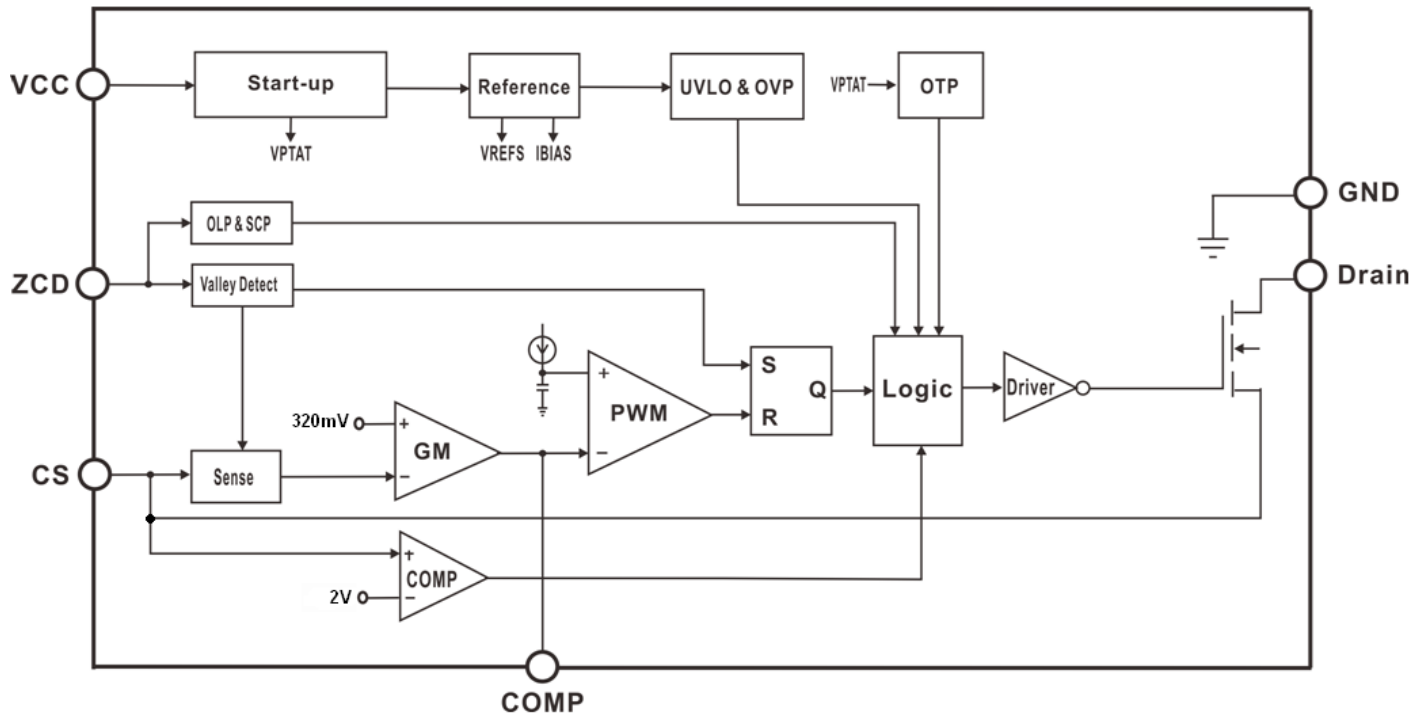
FEATURES

- Integrated 500V (650V) MOSFET.
- High PF \geq 0.9 with single stage conversion.
- Real-current control technique achieves accurate constant LED current.
- Quasi-Resonant switching mode to achieve low switching losses.
- \pm 3% output current accuracy.
- Excellent line regulation and load regulation.
- Low start-up current: 15 μ A typical.
- Reliable short LED and open LED protection.
- System auto-restart function.
- VCC over voltage protection.
- VCC under voltage protection (UVLO).
- Cycle by cycle current limiting.
- Over temperature protection (OTP).
- SOP8 package.
- DIP8 package.

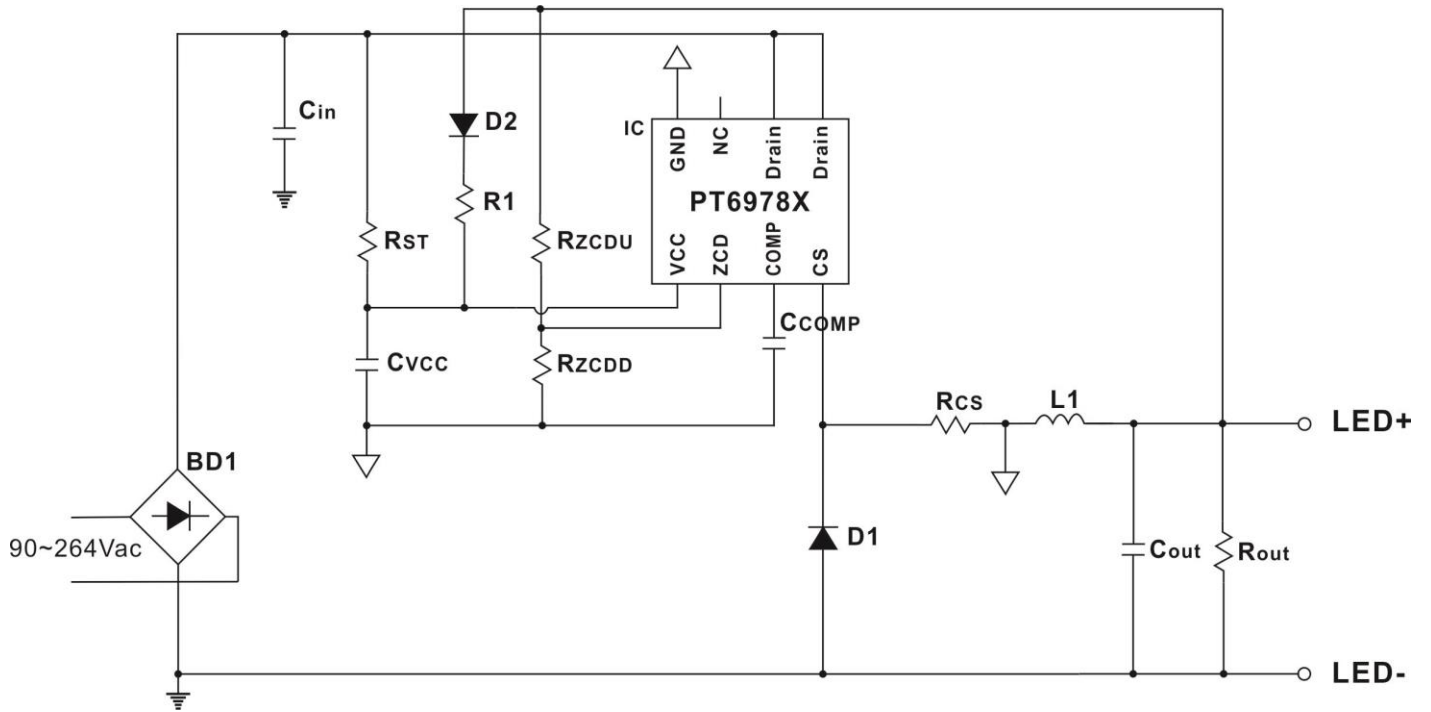
APPLICATIONS

- LED Bulb Lamp
- LED Tube
- Others Led Lighting

BLOCK DIAGRAM



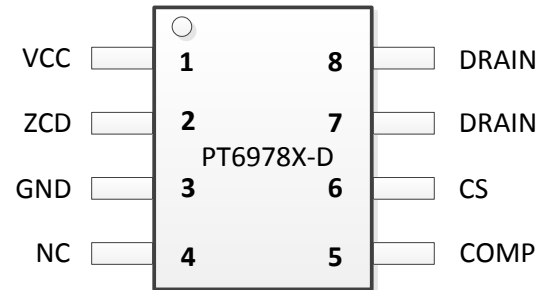
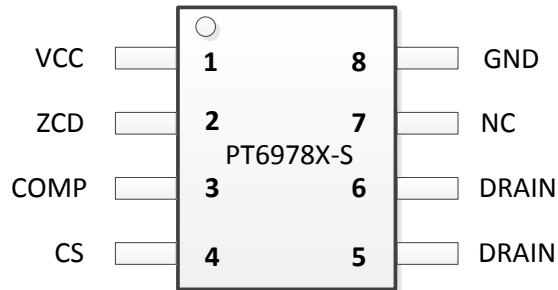
TYPICAL APPLICATION



ORDER INFORMATION

Valid Part Number	Package Type	Power MOSFET	Top Code
PT6978A-S	8 Pins, SOP	500V/3A	PT6978A-S
PT6978A-D	8 Pins, DIP	500V/3A	PT6978A-D
PT6978C-S	8 Pins, SOP	500V/2A	PT6978C-S
PT6978L-S	8 Pins, SOP	650V/2A	PT6978L-S
PT6978H-D	8 Pins, DIP	650V/4A	PT6978H-D

PIN CONFIGURATION



PIN DESCRIPTION

Pin Name	Description	Pin No.	
		SOP-8	DIP-8
VCC	Power supply pin.	1	1
ZCD	Inductor current zero-crossing detection pin. This pin also provides over voltage protection.	2	2
COMP	Loop compensation pin.	3	5
CS	Current sense pin. Connect the sense resistor between this pin and the GND pin.	4	6
DRAIN	Drain of the internal power MOSFET.	5/6	7/8
GND	IC Ground.	8	3
NC	No connect.	7	4

IMPORTANT NOTICE

Princeton Technology Corporation (PTC) reserves the right to make corrections, modifications, enhancements, improvements, and other changes to its products and to discontinue any product without notice at any time. PTC cannot assume responsibility for use of any circuitry other than circuitry entirely embodied in a PTC product. No circuit patent licenses are implied.

Princeton Technology Corp.
2F, 233-1, Baociao Road,
Sindian Dist., New Taipei City 23145, Taiwan
Tel: 886-2-66296288
Fax: 886-2-29174598
<http://www.princeton.com.tw>