

DESCRIPTION

RS2321 is especially designed for high power factor non-isolated LED driver. The building in perfect current compensation function ensures the accurate output current. RS2321 has very less external components because of high integrated and simple topology. Thanks to novel power supply, RS2321 need not use transformer and it could simplify PCB design. RS2321 integrates cycle-by-cycle current limit, inductor anti-saturation and thermal shutdown circuitry onto a monolithic IC.

The integrated auto-restart circuit and FB detection in the RS2321 safely limits output power during fault conditions such as LED short to circuit or open loop, reducing component count and system-level load protection cost.

PROTECTION FEATURES

- VDD 36V over-voltage protection
- Gate 18V clamped voltage
- Building in hysteresis OTP (150°C)
- Cycle-by-cycle current limiting
- Transformer anti-saturation
- FB pin short to GND
- FB pin open protection
- CS pin open protection
- LED open protection
- LED+ and LED- short protection

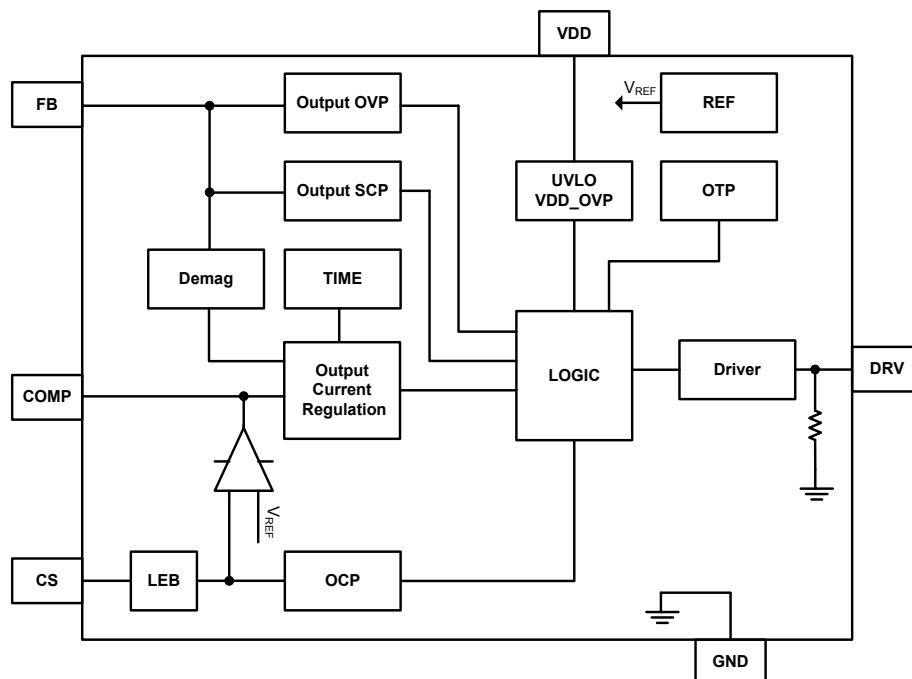
FEATURES

- High power factor (More than 0.9)
- High precision output current regulation ($\pm 3\%$) when universal AC input voltage (85VAC~265VAC)
- Lowest cost and very less component count solution
- Need not transformer to simplify design
- Operation in Quasi-Resonant mode
- Programmable output current setting
- Under voltage lockout
- Low startup current ($< 20\mu\text{A}$)
- Building in current compensation
- Building in 300ns LEB time for CS pin
- 4000V HBM ESD
- SOT23-6L Green Package

APPLICATIONS

- Non-Isolated LED Lighting Power Supply

BLOCK DIAGRAM



APPLICATION CIRCUITS

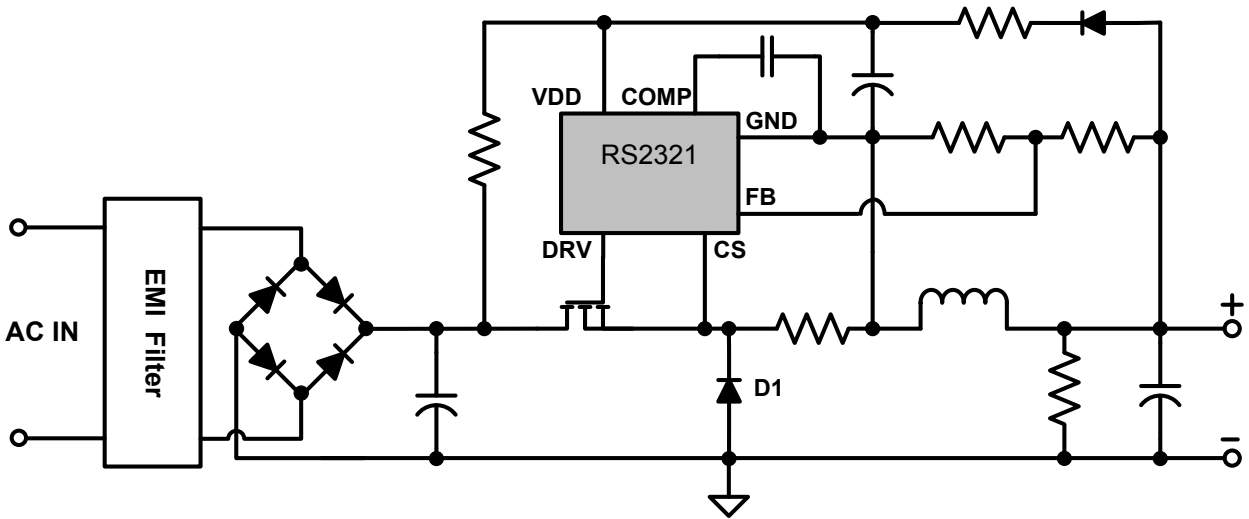


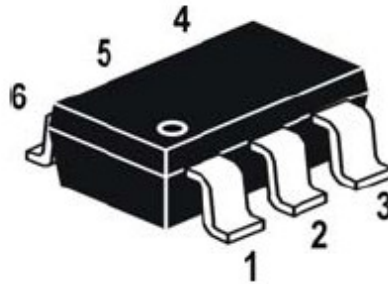
Fig. 1 : RS2321 Typical application

Note: Diode D1 must be ultra-fast diode.

ORDER INFORMATION

Device	Device Code
RS2321 Y Z	Y is package & Pin Assignments designator: N : SOT-23-6 Z is Lead Free designator: P: Commercial Standard, Lead (Pb) Free and Phosphorous (P) Free Package G: Green (Halogen Free with Commercial Standard)

PIN CONFIGURATION



PIN DESCRIPTION

Pin Name	Description	Pin No.
DRV	Drive external power MOSFET	1
CS	Current sense pin, a resist sense the MOSFET current.	2
GND	Reference ground	3
FB	Voltage detect and protection	4
COMP	Compensation capacitor	5
VDD	Power supply	6

IMPORTANT NOTICE

Princeton Technology Corporation (PTC) reserves the right to make corrections, modifications, enhancements, improvements, and other changes to its products and to discontinue any product without notice at any time.

PTC cannot assume responsibility for use of any circuitry other than circuitry entirely embodied in a PTC product. No circuit patent licenses are implied.

Princeton Technology Corp.
2F, 233-1, Baociao Road,
Sindian Dist., New Taipei City 23145, Taiwan
Tel: 886-2-66296288
Fax: 886-2-29174598
<http://www.princeton.com.tw>