

## DESCRIPTION

The PT16941 is a serial-in parallel-out controlled LED driver with 35V output voltage rating. With the input of 3-line serial data, it turns the 8ch open drain output on/off. Due to its compact size, it is optimal for small space.

## FEATURES

- Open Drain Output
- 3-line Serial Control + Enable Signal
- Cascade Connection Compatible
- TSSOP-16 / SOP16 (150mil) Package
- Internal 8ch Power Transistor  
Output Slew Rate Typical 20V/μs  
(for Low EMC Noise)

## KEY SPECIFICATIONS

- Input voltage range: 3.0V to 5.5V
- Output voltage range: 35V (Max.)
- DC Output Current (per CH): 50mA(Max.)
- Output ON Resistance: 6Ω(Typ.)
- Standby current: 0μA (Typ.)
- Operating temperature range: -40°C to +105°C
- Package: 16 pins TSSOP / SOP(150mil)

## APPLICATION

- For indicator of Cluster Panel

## BLOCK DIAGRAM

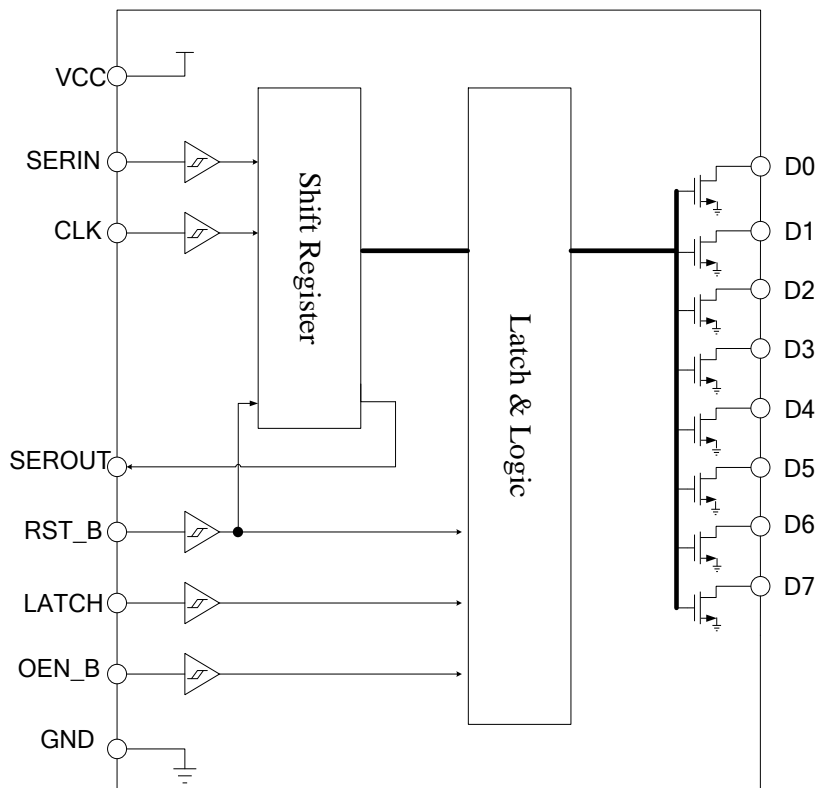


Figure 1. Block Diagram

# APPLICATION CIRCUIT

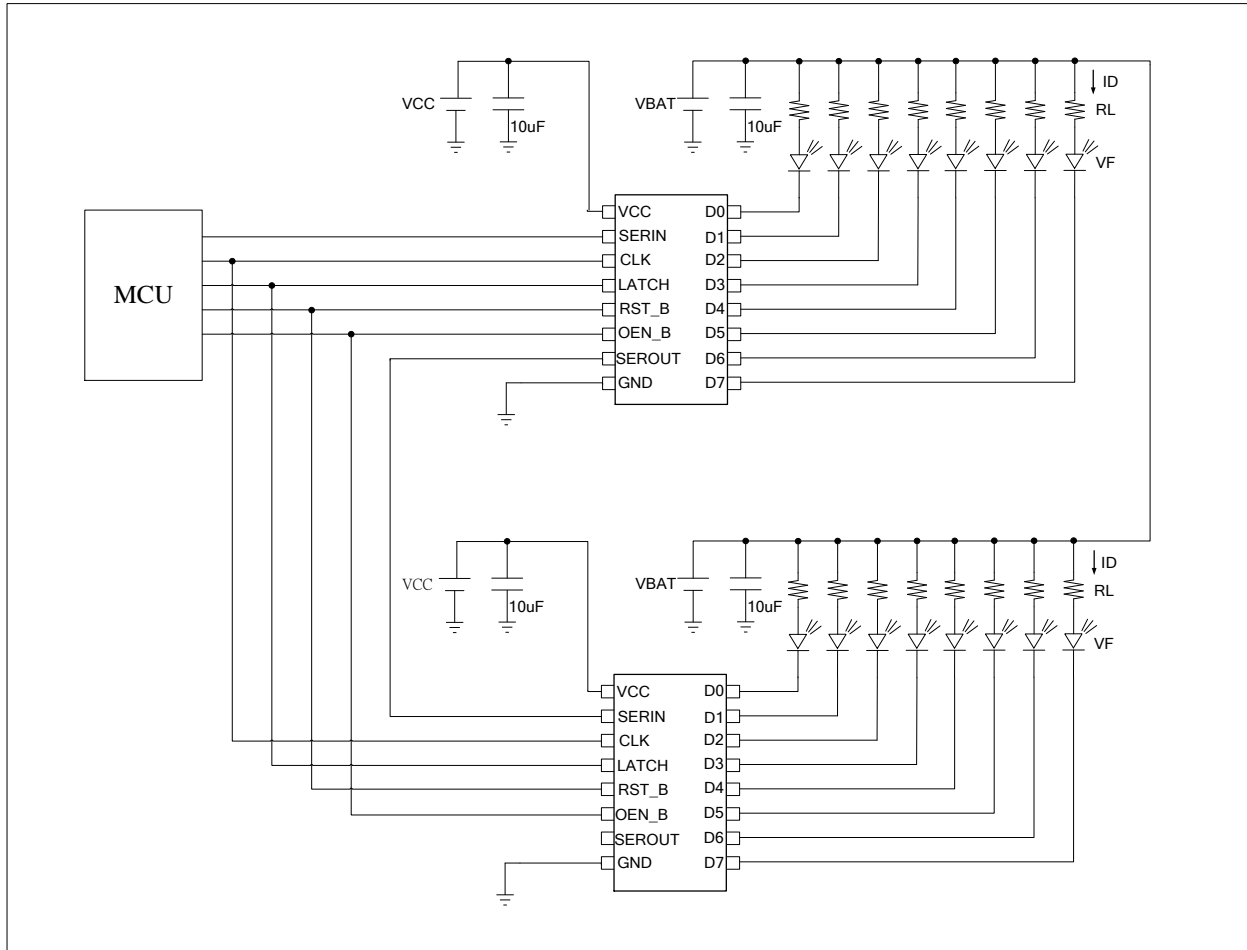


Figure 2. Application Circuit

## ORDER INFORMATION

Valid Part Number	Package Type	Top Code
PT16941-TX	TSSOP, 16 Pins	PT16941-TX
PT16941-S	SOP, 16 Pins	PT16941-S

## PIN CONFIGURATION

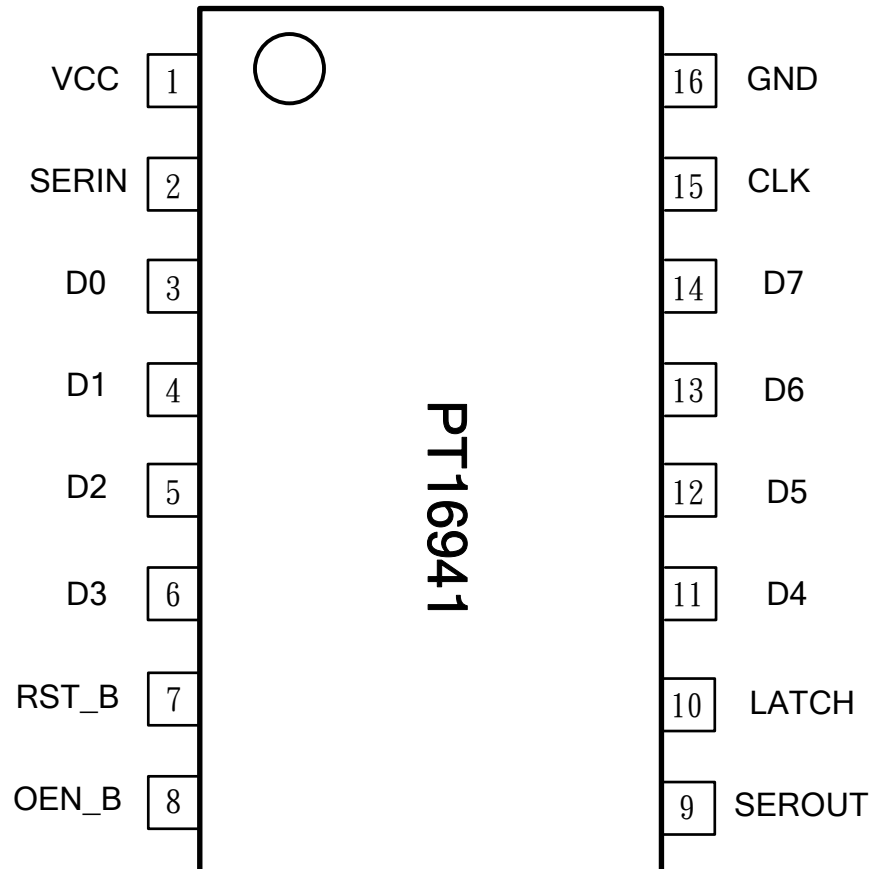


Figure 3. Pin Configuration

## **IMPORTANT NOTICE**

Princeton Technology Corporation (PTC) reserves the right to make corrections, modifications, enhancements, improvements, and other changes to its products and to discontinue any product without notice at any time.

PTC cannot assume responsibility for use of any circuitry other than circuitry entirely embodied in a PTC product. No circuit patent licenses are implied.

Princeton Technology Corp.  
2F, 233-1, Baociao Road,  
Sindian Dist., New Taipei City 23145, Taiwan  
Tel : 886-2-66296288  
Fax: 886-2-29174598  
<http://www.princeton.com.tw>