

## DESCRIPTION

PT2260 is a remote control encoder paired with either PT2270 or PT2272 utilizing CMOS Technology. It encodes data and address pins into a serial coded waveform suitable for RF modulation. PT2260 has a maximum of 10 bits tri-state address pins providing up to 59,049 (or  $3^{10}$ ) address codes; thereby, drastically reducing any code collision and unauthorized code scanning possibilities.

PT2260 is one of the first generation of Encoder/Decoder ICs that utilizes the unique PTC Technology. When paired with PT2270, this encoder/decoder (PT2260/PT2270) pair can operate at very wide temperature range (see Features). Thus, this very important feature enables your Encoder/Decoder to operate under the worst environmental condition.

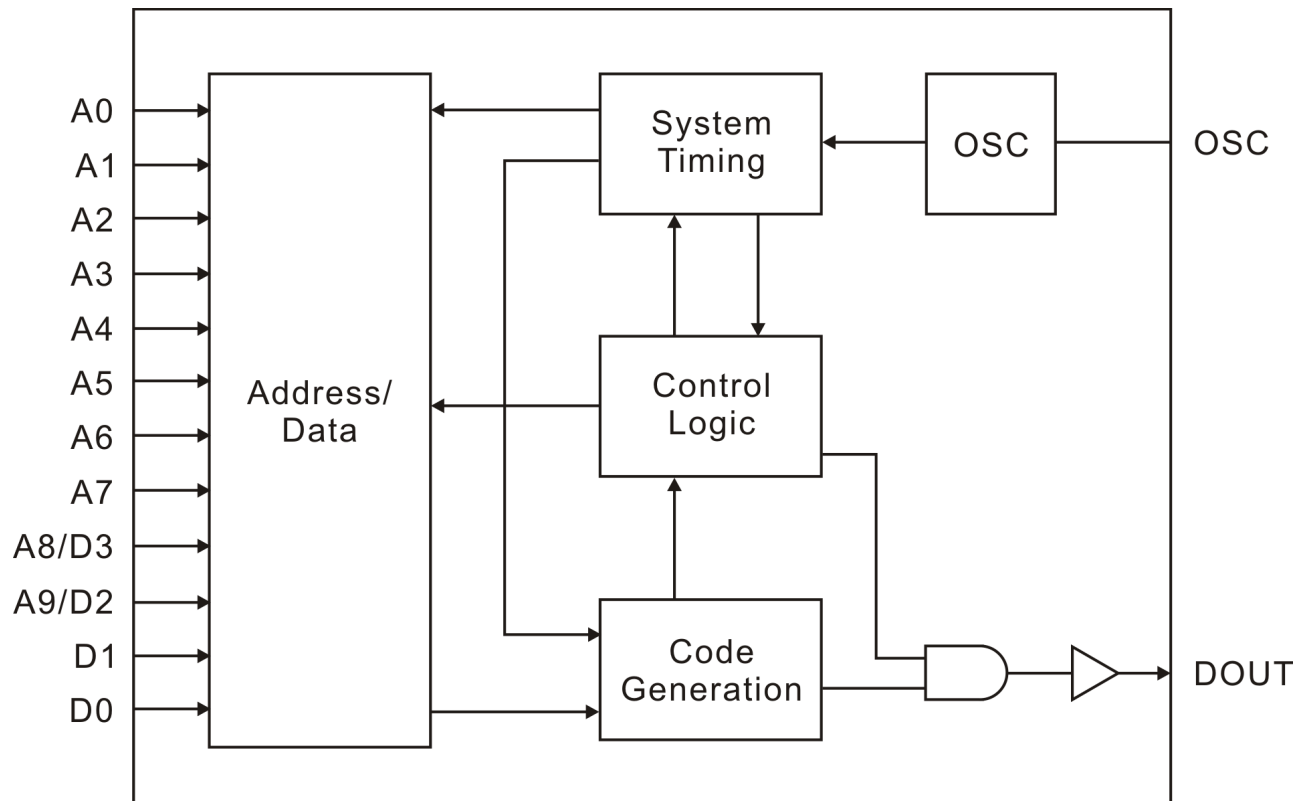
## FEATURES

- High performance CMOS technology
- Low power consumption
- Very high noise immunity
- Wide operating temperature range:  $-40^{\circ}\text{C} \sim 85^{\circ}\text{C}$
- 8 or 10 Tri-State code address pins
- 2 or 4 data pins
- Wider range of operating voltage: 1.8 ~ 10.0V
- Single resistor oscillator
- Least external components

## APPLICATIONS

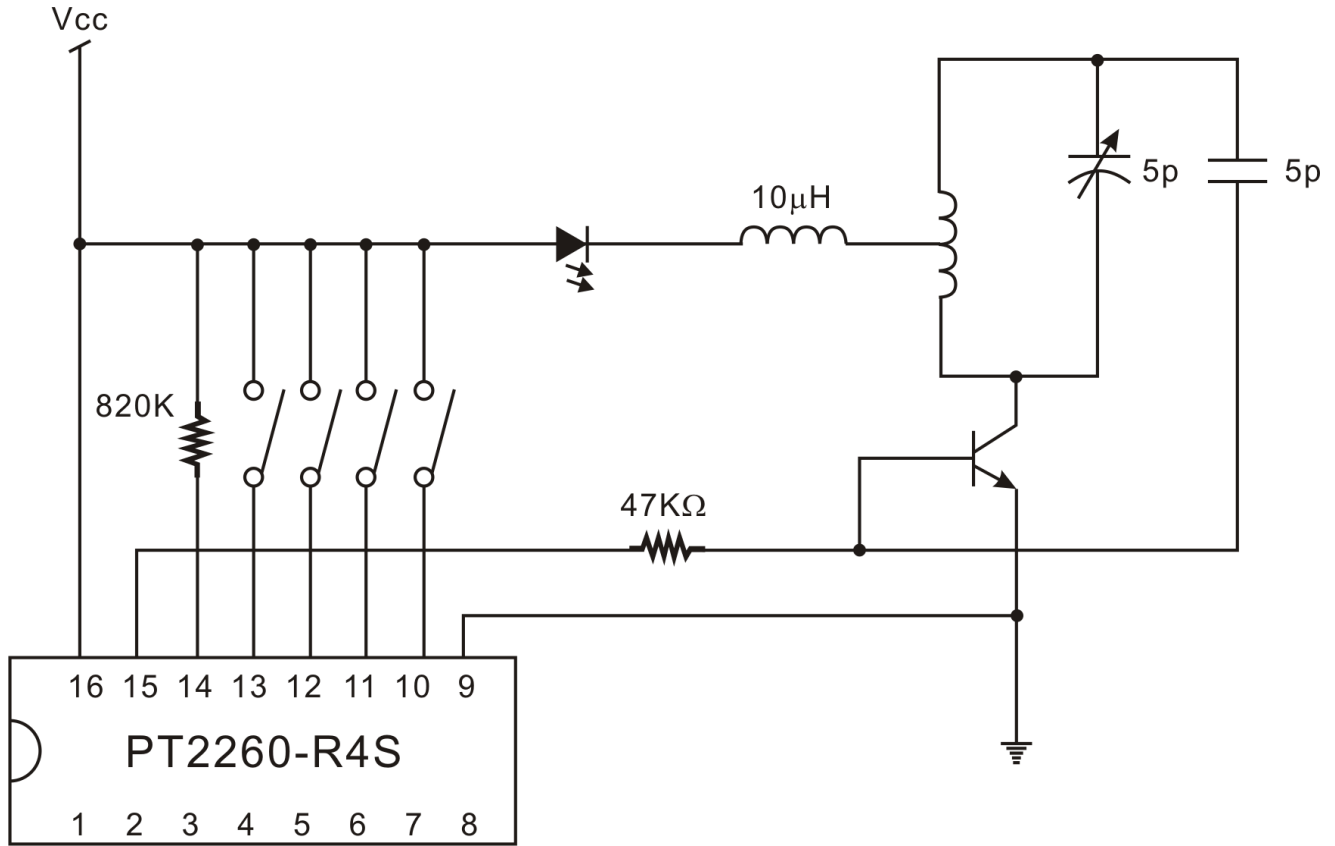
- Home/Car security system
- Garage door controller
- Remote fan controller
- Remote control toys

## BLOCK DIAGRAM



# APPLICATION CIRCUIT

UHF Band 4-Data Transmitter Circuit is recommended.



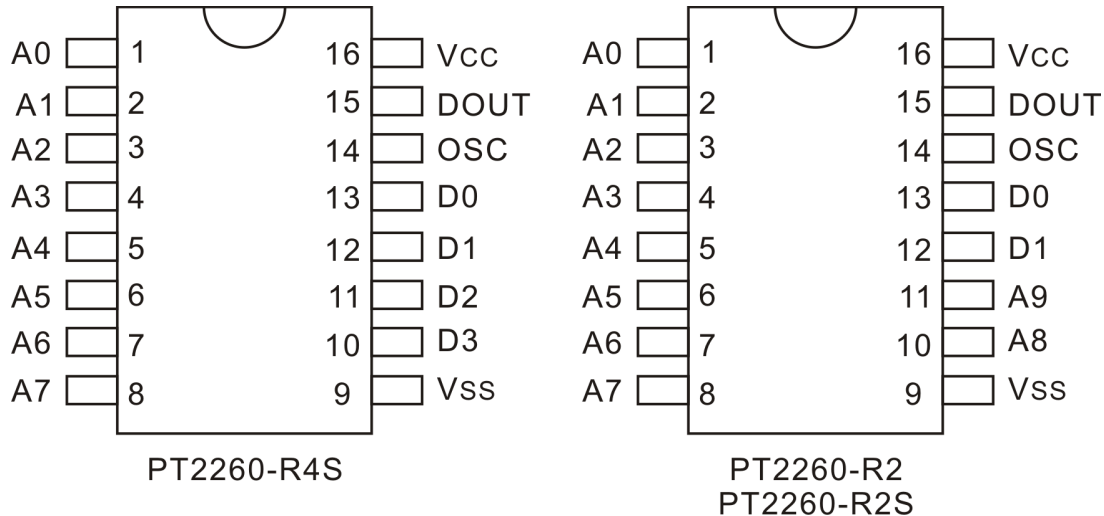
## ORDER INFORMATION

Valid Part Number	Package Type	Top Code
PT2260-R2	16 Pins, DIP, 300mil	PT2260-R2
PT2260-R2S	16 Pins, SOP, 150mil	PT2260-R2S
PT2260-R4S	16 Pins, SOP, 150mil	PT2260-R4S

Notes:

1. R: RF Application.
2. 2: 2 Data Pins; 4: 4 Data Pins.

## PIN CONFIGURATION



## PIN DESCRIPTION

Pin Name	I/O	Description	Pin No.
A0 ~ A7	I	Code Address Pin Nos. 0 ~ 7 These eight tri-state pins are detected by PT2260 to determine the encoded waveform bit 0 ~ bit 7. Each bit can be set to "0", "1", or "f" (floating).	1 ~ 8
A8/D3 ~ A9/D2	I/PL*	Code Address Pin No. 8 ~ 9/Data Pin No. 3 ~ 2. These two tri-state pins are detected by PT2260 to determine the encoded waveform bit 8 ~ bit 9. When these pins are used as address pins (as in PT2260-R2), they can be set to "0", "1", or "f" (floating). When these pins are used as data pins (as in PT2260-R4), they can only be set to "0" or "1".	10 ~ 11
D1, D0	I/PL	Data Pin No. 1/0. These pins can only be set to "0" or "1"	12, 13
OSC	I	Oscillator Pin A resistor connected between the Osc Pin and the Vcc determines the fundamental frequency of the PT2260	14
DOUT	O	Data Output Pin. The encoded waveform is serially outputted to this pin. When PT2260 is not transmitting, DOUT outputs low (Vss) voltage	15
Vcc		Positive Power Supply	16
Vss		Negative Power Supply	9

Note:  
 PL -- Pull-low Resistor is connected internally  
 PL\* -- If those two pins are used as Data Pins (PT2260-R2), pull-low resistor is connected internally; otherwise, no pull-low resistor is connected.

## **IMPORTANT NOTICE**

Princeton Technology Corporation (PTC) reserves the right to make corrections, modifications, enhancements, improvements, and other changes to its products and to discontinue any product without notice at any time.

PTC cannot assume responsibility for use of any circuitry other than circuitry entirely embodied in a PTC product. No circuit patent licenses are implied.

Princeton Technology Corp.  
2F, 233-1, Baociao Road,  
Sindian Dist., New Taipei City 23145, Taiwan  
Tel: 886-2-66296288  
Fax: 886-2-29174598  
<http://www.princeton.com.tw>