

DESCRIPTION

PT2308L is a Class AB stereo headphone driver chip utilizing CMOS Technology specially designed for portable digital audio applications. It is housed in an 8-pin DIP or SOP package and is functionally compatible with TDA1308. Pin assignments and application circuit are optimized for lower cost effectiveness and easy PCB Layout.

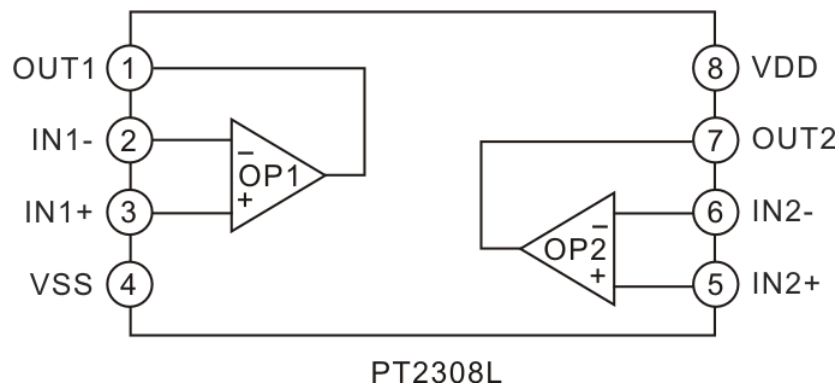
FEATURES

- CMOS technology
- Low power consumption
- Wide temperature range
- Excellent power supply ripple rejection
- High signal-to-noise ratio, S/N=110dB
- Low harmonic distortion, THD= 0.001%
- Large output voltage swing
- Low supply voltage available (VDD=2V)

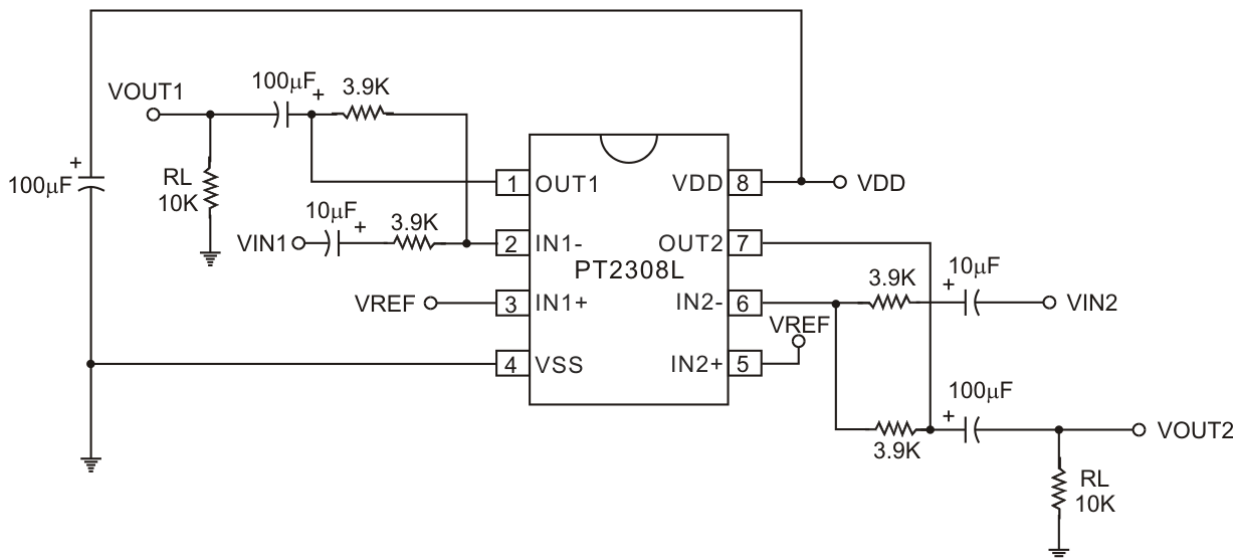
APPLICATIONS

- Portable digital audio
- Hi-Fi audio system
- Walkman
- CD-ROM

BLOCK DIAGRAM



APPLICATION CIRCUIT

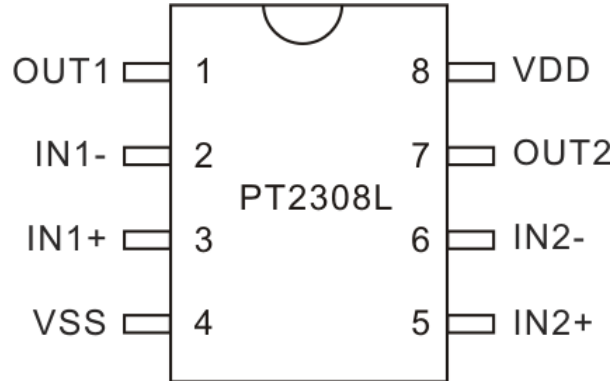


Note: VREF=1/2 VDD

ORDER INFORMATION

Valid Part Number	Package Type	Top Code
PT2308L	8 Pins, DIP, 300mil	PT2308L
PT2308L-S	8 Pins, SOP, 150mil	PT2308L-S

PIN CONFIGURATION



PIN DESCRIPTION

Symbol	I/O	Description	Pin No.
OUT1	O	Output pin 1	1
IN1-	I	Inverting input pin 1	2
IN1+	I	Non-inverting input pin 1	3
VSS	-	Negative power supply	4
IN2+	I	Non-inverting input pin 2	5
IN2-	I	Inverting input pin 2	6
OUT2	O	Output pin 2	7
VDD	-	Positive power supply	8

IMPORTANT NOTICE

Princeton Technology Corporation (PTC) reserves the right to make corrections, modifications, enhancements, improvements, and other changes to its products and to discontinue any product without notice at any time.

PTC cannot assume responsibility for use of any circuitry other than circuitry entirely embodied in a PTC product. No circuit patent licenses are implied.

Princeton Technology Corp.
2F, 233-1, Baociao Road,
Sindian, Taipei 23145, Taiwan
Tel: 886-2-66296288
Fax: 886-2-29174598
<http://www.princeton.com.tw>