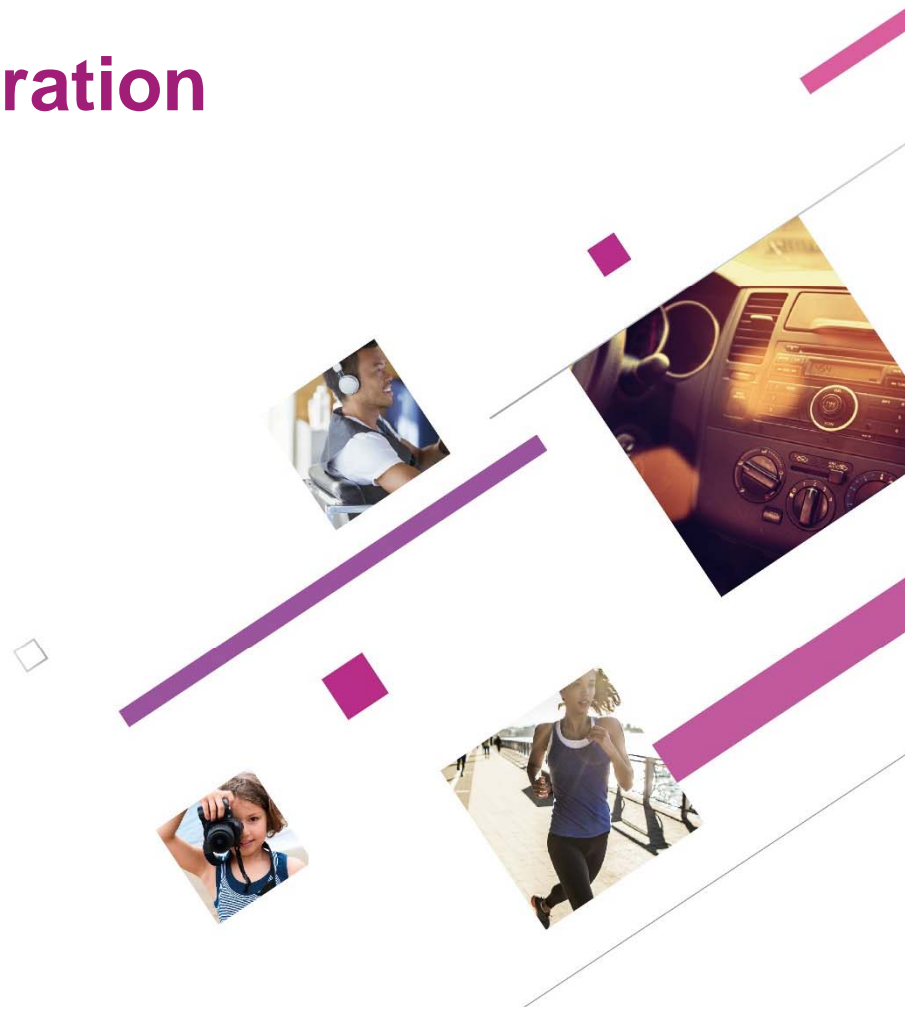
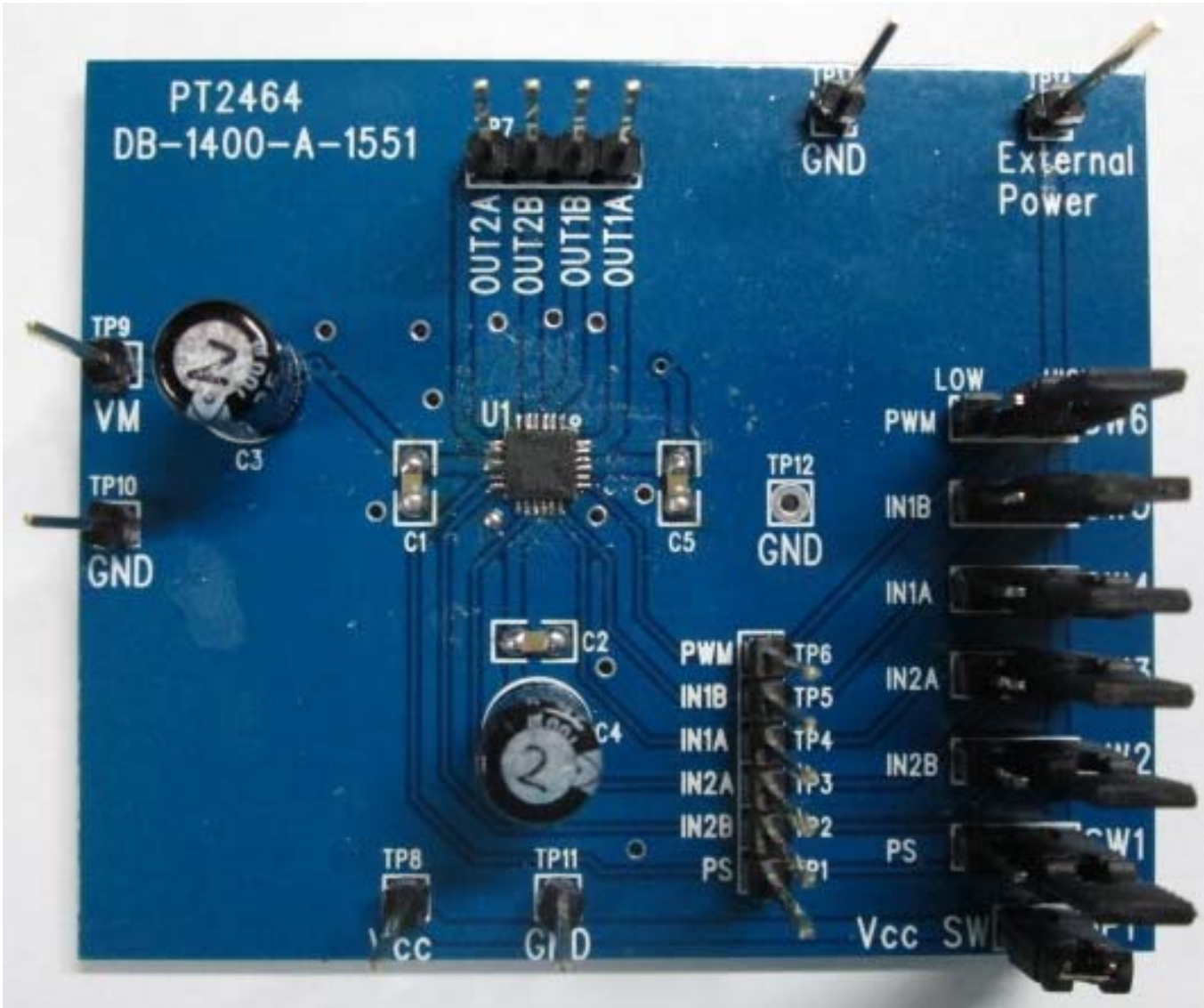


PT2464 Demo Board Operation

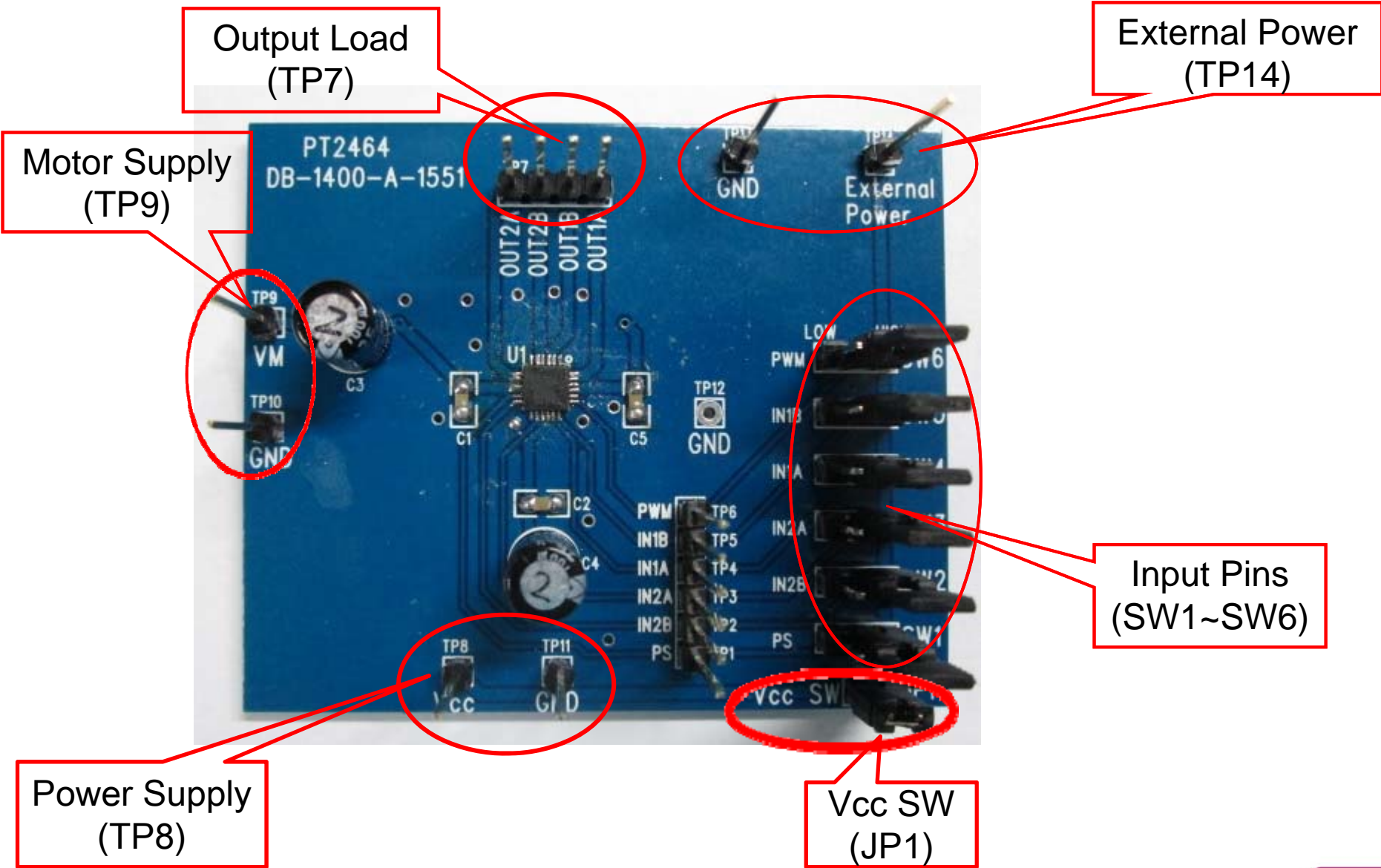
A Leader in Quality and Eco-Friendly IC Solutions for Car and Consumer Electronics.



PT2464 EV Board Outline



PT2464 EV Board I/O Port Description



PT2464 EV Board Input Pins Setting

INPUT-OUTPUT LOGIC TABLE

Input Mode	INPUT				OUTPUT			
	PS	PWM	IN1A/IN2A	IN1B/IN2B	OUT1A/2A	OUT1B/2B	Output Mode	
EN/IN	H	H	L	X	L	L	Short Brake	
			H	L	H	L	CW	
			H	H	L	H	CCW	
IN/IN		L	L	L	L	Z	Z	Open
				H	L	H	L	CW
				L	H	L	H	CCW
				H	H	L	L	Short Brake
-	L	X	X	X	Z	Z	Open	

Note: L: Low, H: High, X: Don't care, Z: Hi impedance PS=High, Operation Mode; PS=Low, Stand-by Mode
 CW: current flows from OUTA to OUTB, CCW: current flows from OUTB to OUTA.