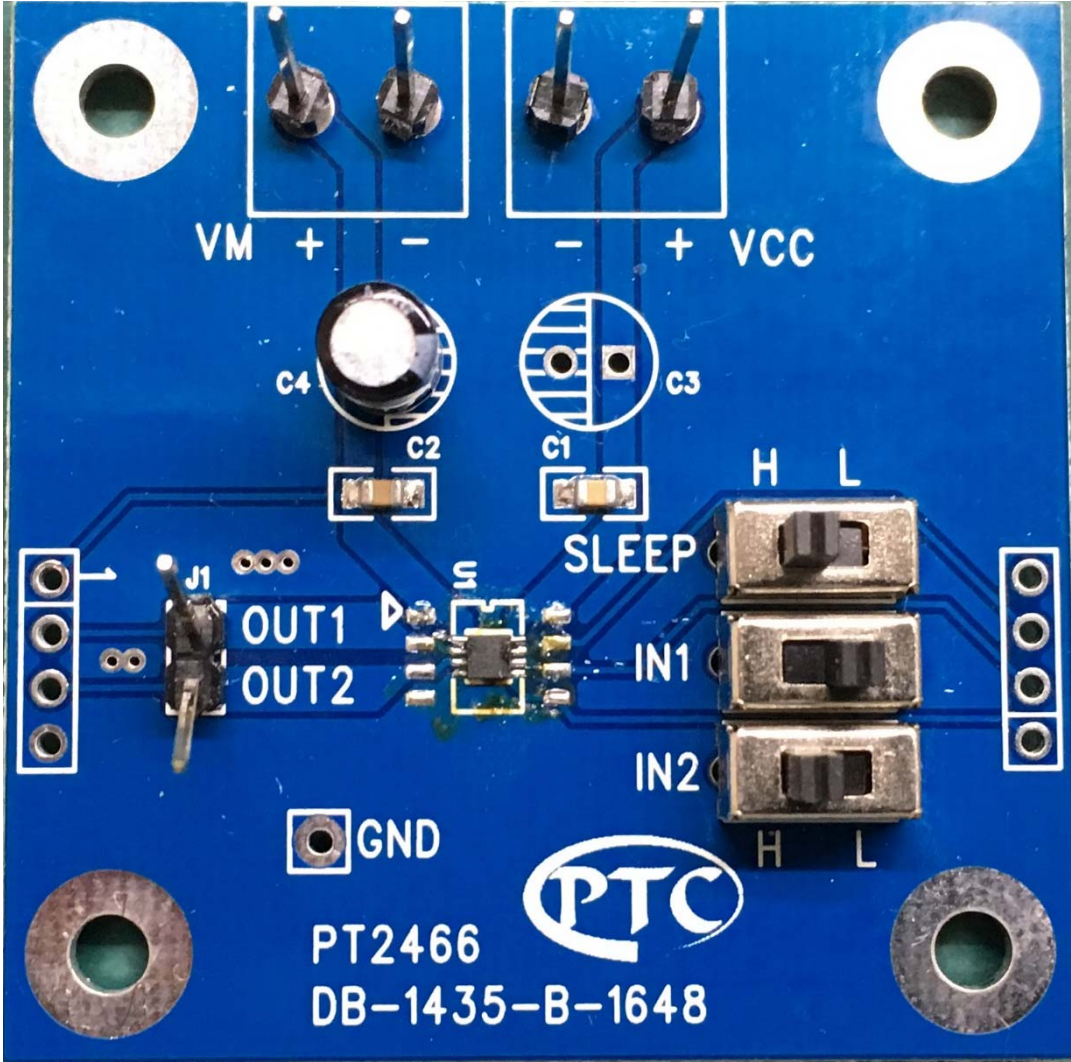


PT2466 Demo Board Operation

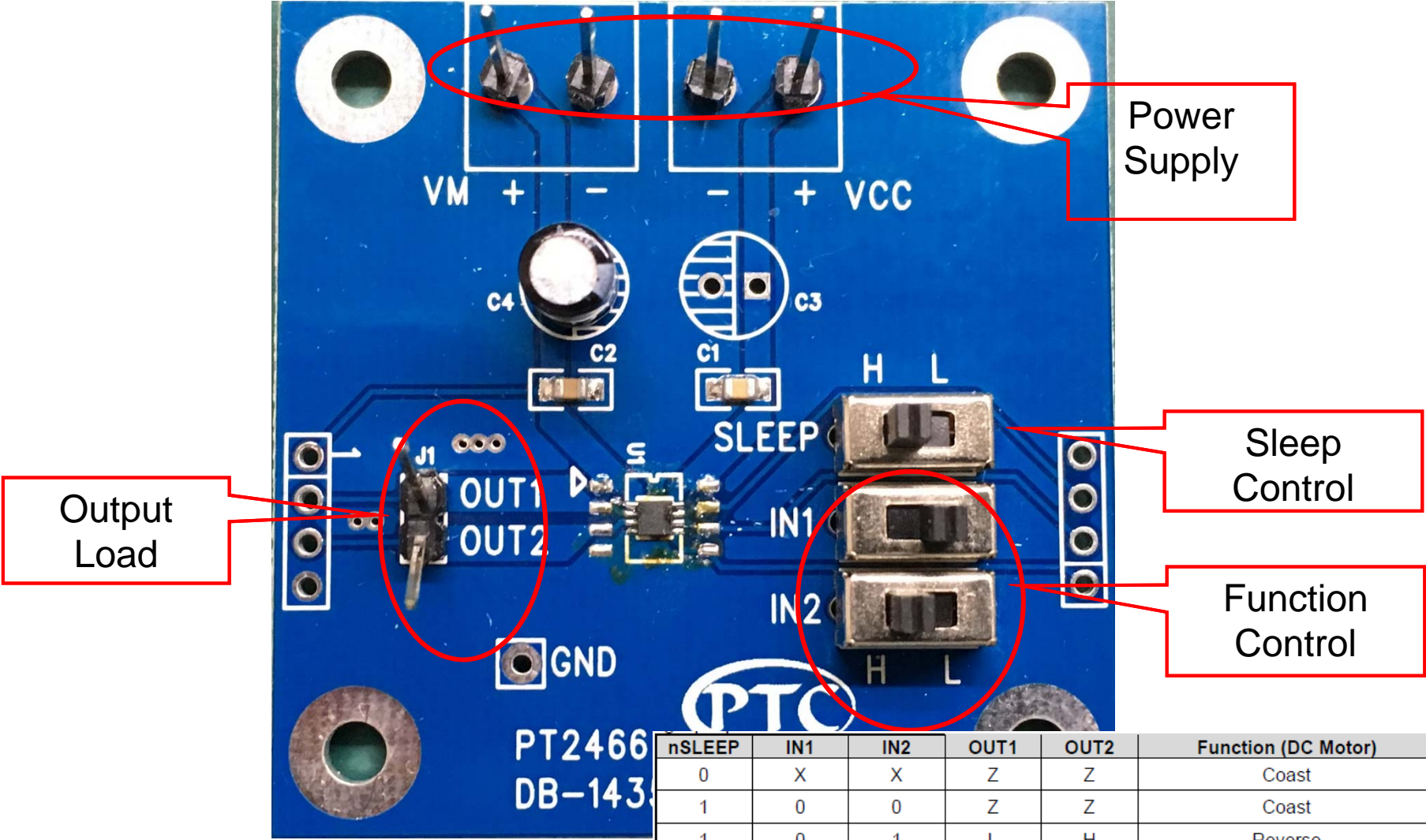
A Leader in Quality and Eco-Friendly IC Solutions for
Car and Consumer Electronics.



PT2466 EV Board Outline

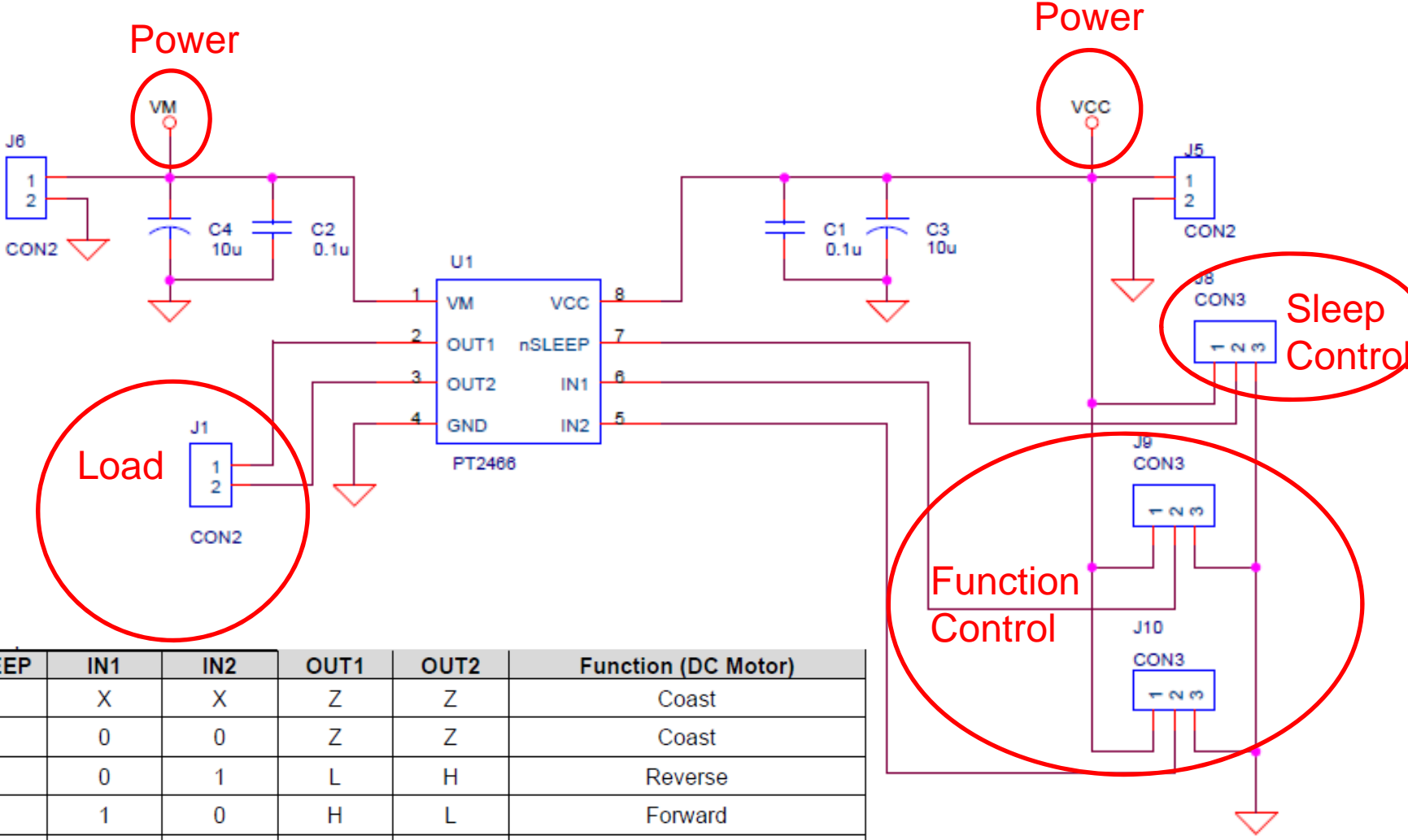


PT2466 EV Board I/O Port Description



nSLEEP	IN1	IN2	OUT1	OUT2	Function (DC Motor)
0	X	X	Z	Z	Coast
1	0	0	Z	Z	Coast
1	0	1	L	H	Reverse
1	1	0	H	L	Forward
1	1	1	L	L	Brake

PT2466 EV Board Circuit



nSLEEP	IN1	IN2	OUT1	OUT2	Function (DC Motor)
0	X	X	Z	Z	Coast
1	0	0	Z	Z	Coast
1	0	1	L	H	Reverse
1	1	0	H	L	Forward
1	1	1	L	L	Brake