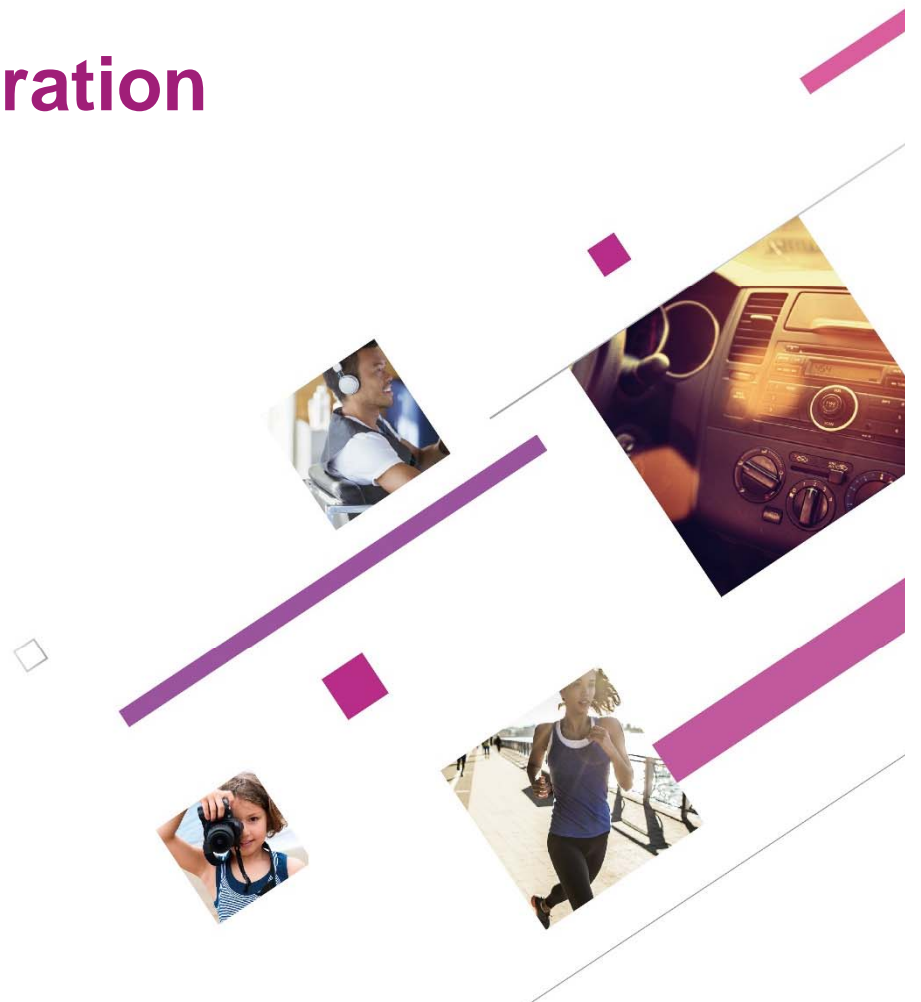


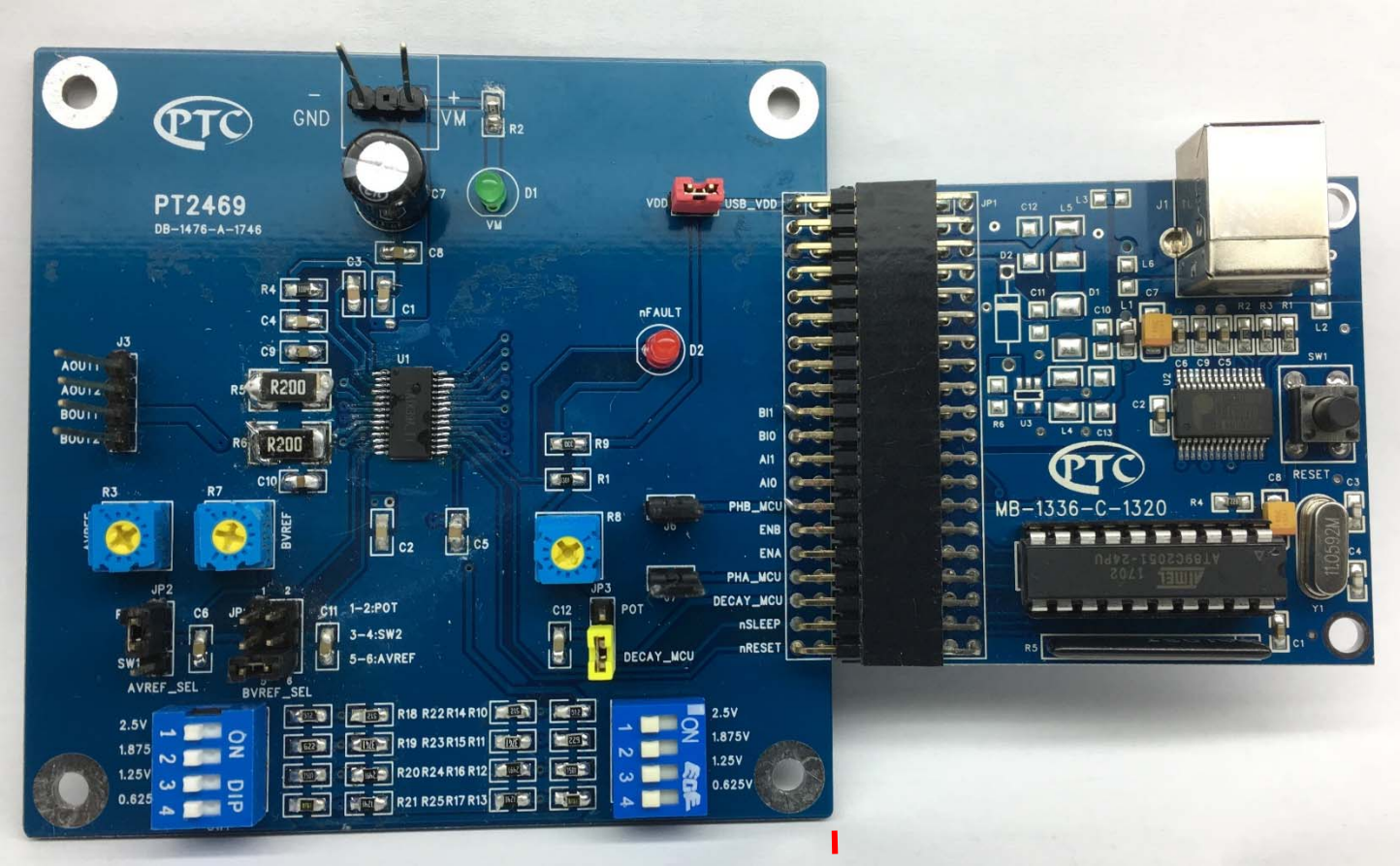
# PT2469 Demo Board Operation

*2018/05/07*

A Leader in Quality and Eco-Friendly IC Solutions for  
Car and Consumer Electronics.



# PT2469 EV Board Outline

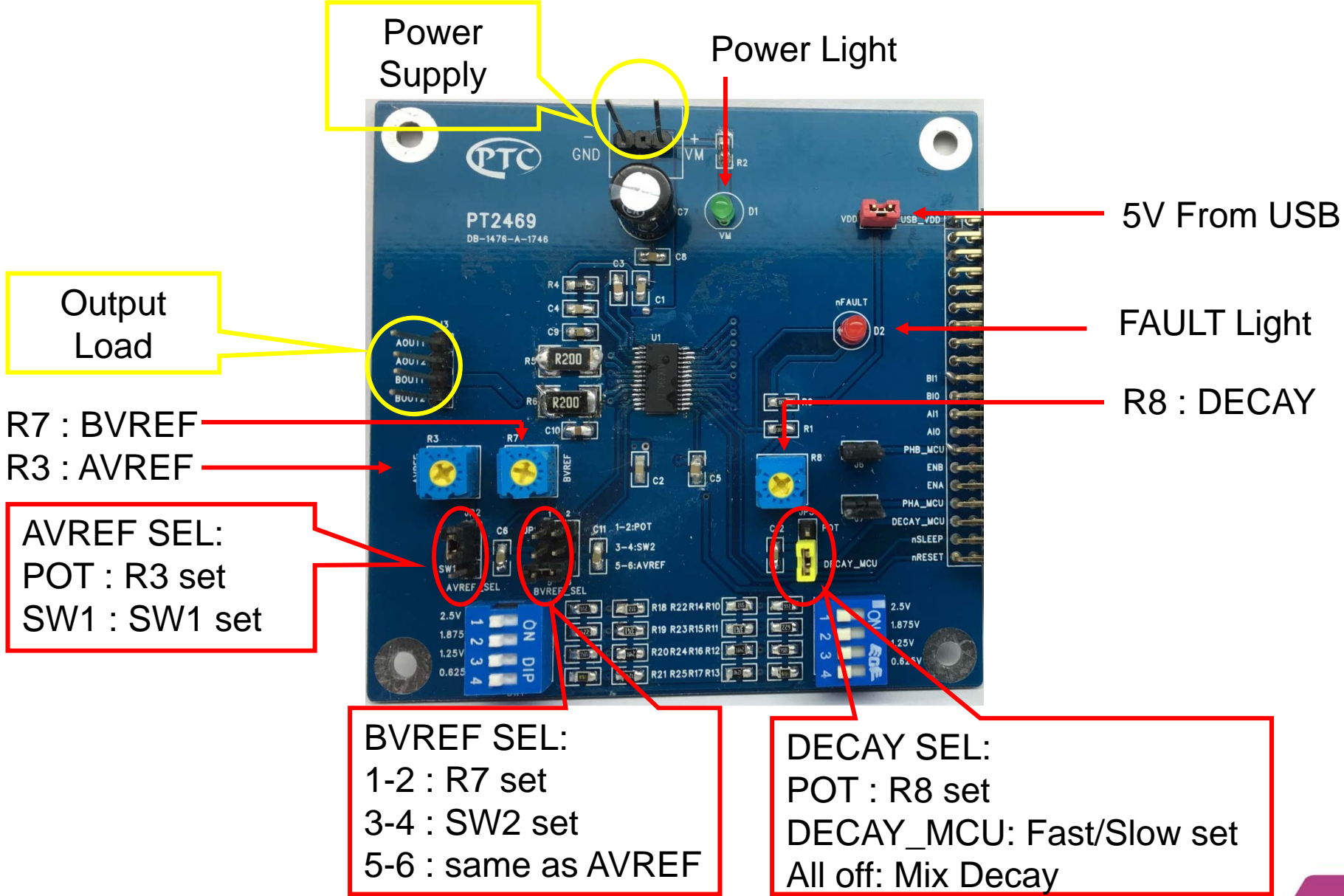


Demo Board

Control Board



# PT2469 EV Board I/O Port Description



# PT2469 EV Board Circuit

