

DESCRIPTION

The PT2474 is a dual channel H-bridge motor driver that operates on wide supply voltage range from 4V to 16V. The control logic pins have built-in phase generator function; it could drive a four-wire bipolar stepping motor with only 2 input pins. The input waveform is generated by the external MCU and phase relation between two input pins is a standard full-step excitation.

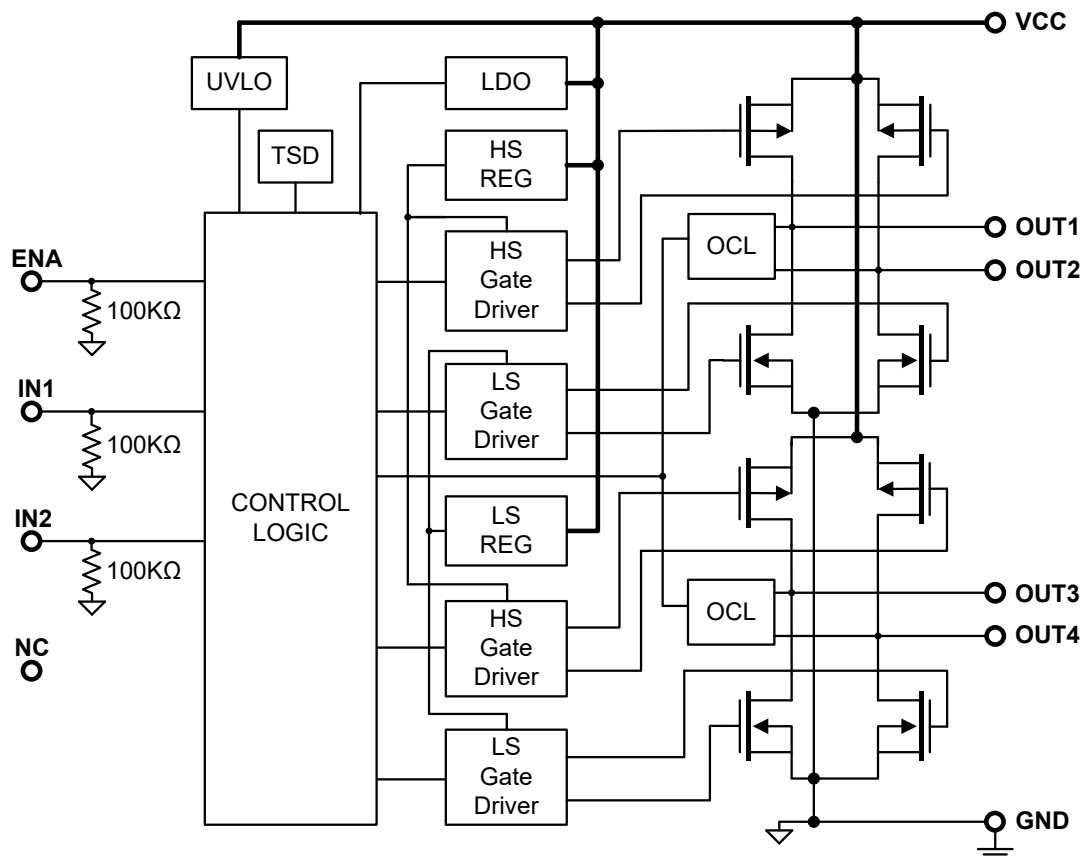
APPLICATIONS

- Airflow flap control for refrigerators.
- Air Conditioner venting control
- Home appliance
- Office automation machines

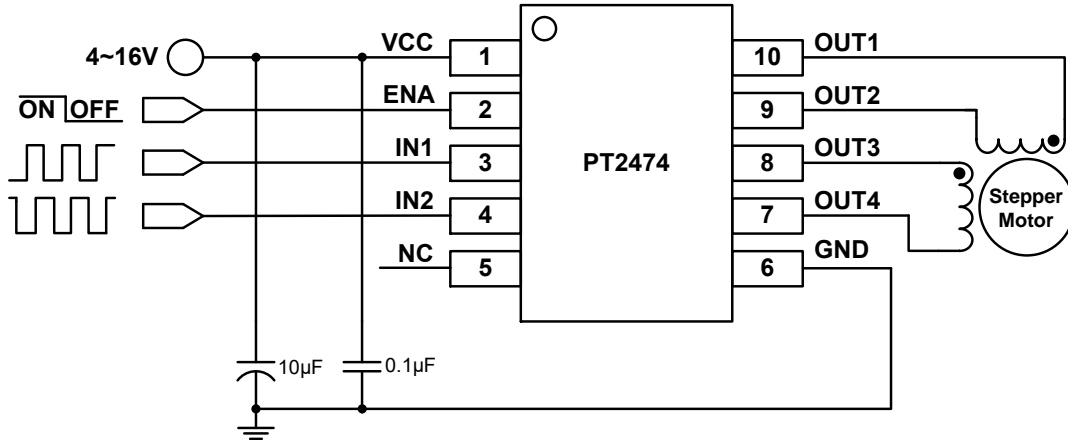
FEATURES

- Wide Supply Voltage Range: 4V to 16V
- Single voltage supply with built-in regulator; control logic supply is not necessary.
- Dual H-bridge Drivers for a bipolar stepping motor
- MOSFET RDS(on) Resistance, HS + LS = 1.2Ω
- Maximum Output Current: 1.0 Amp (Peak), 700mA (RMS).
- Low Power Sleep mode
- Built-in Protection Circuits with Thermal Shutdown (TSD), Under Voltage Lock-Out (UVLO)
- Output current limiting (OCL) during output terminal shorted to GND.
- 10Pins Small Outline Package (SOP), Pitch=1.0mm.

BLOCK DIAGRAM



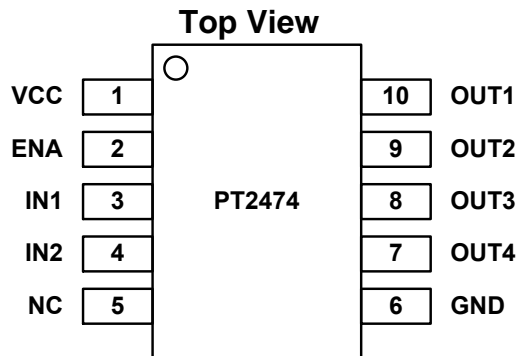
APPLICATION CIRCUIT



ORDER INFORMATION

Valid Part Number	Package Type	Top Code
PT2474-S	10Pins, SOP	PT2474-S

PIN CONFIGURATION



PIN DESCRIPTION

Pin Name	I/O	Description	Pin No.
VCC	Power	Power input pin, the operation voltage is from 4V to 16V. Connects a 0.1µF bypass capacitor between VCC and GND pin and add at least 10µF capacitor in the power line.	1
ENA	I	Chip Enable control input, Logic H=enable, logic L=stand-by.	2
IN1	I	Control input pin 1 for H-bridge driver 1, built-in a 100KΩ pull-down resistor.	3
IN2	I	Control input pin 2 for H-bridge driver 1, built-in a 100KΩ pull-down resistor.	4
NC	--	No connect. Do not connects this pin to any circuit.	5
GND	Power	Ground pin	6
OUT4	O	OUT4 of H-bridge driver 2	7
OUT3	O	OUT3 of H-bridge driver 2	8
OUT2	O	OUT2 of H-bridge driver 1	9
OUT1	O	OUT1 of H-bridge driver 1	10