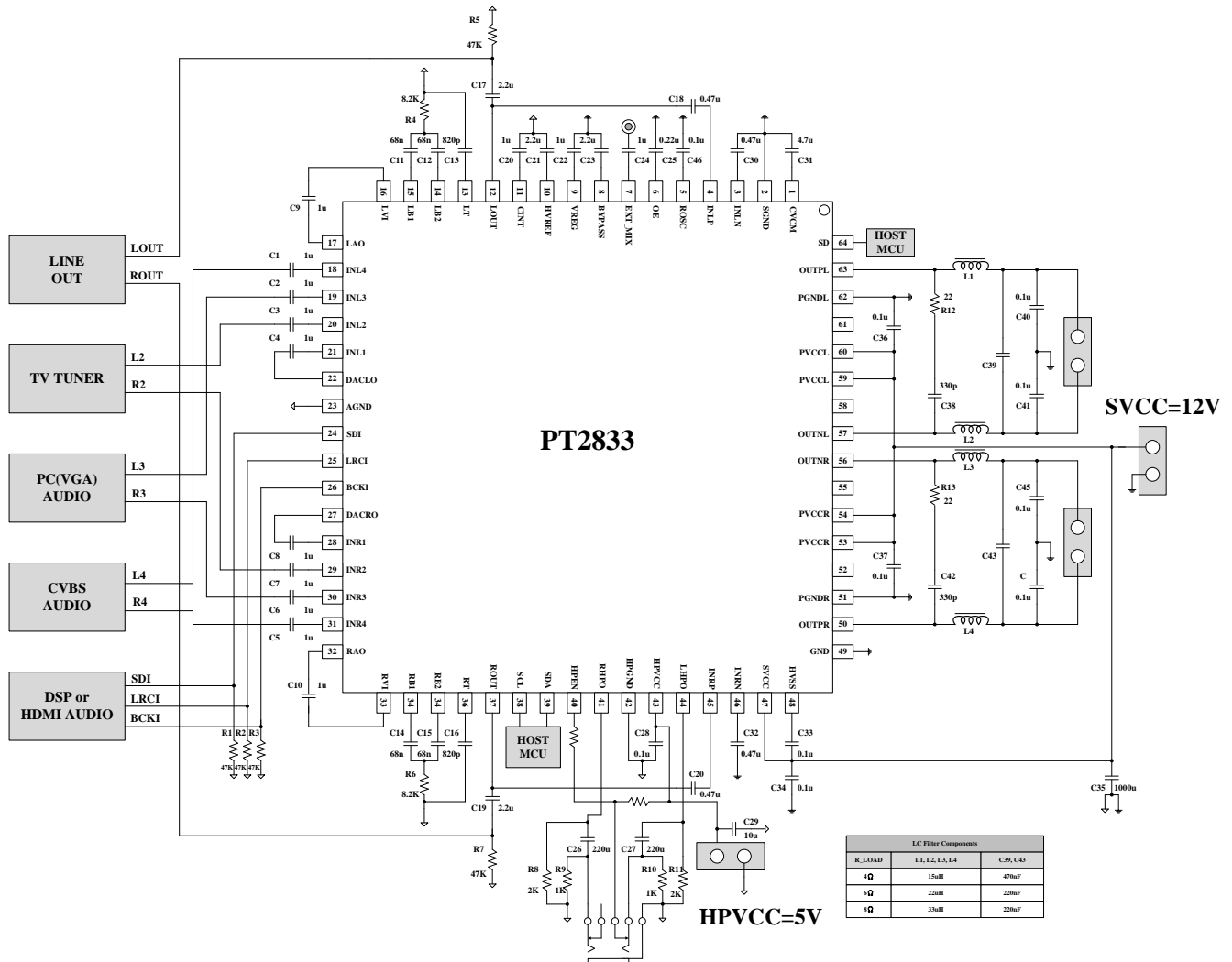




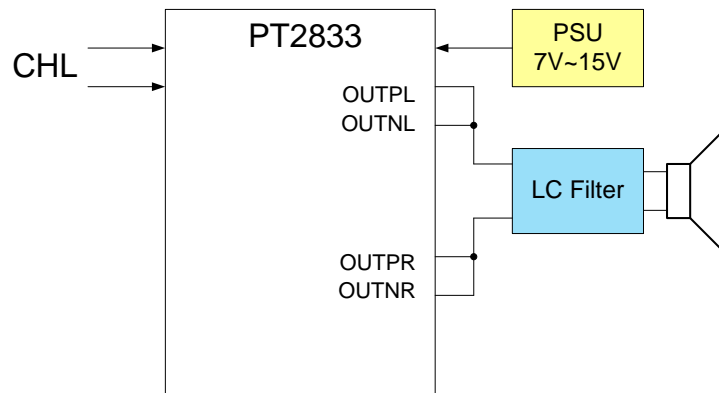
# APPLICATION CIRCUIT DIAGRAM



## MONO MODE (PBTL)

The PT2833 family can be connected in MONO. This is done by:

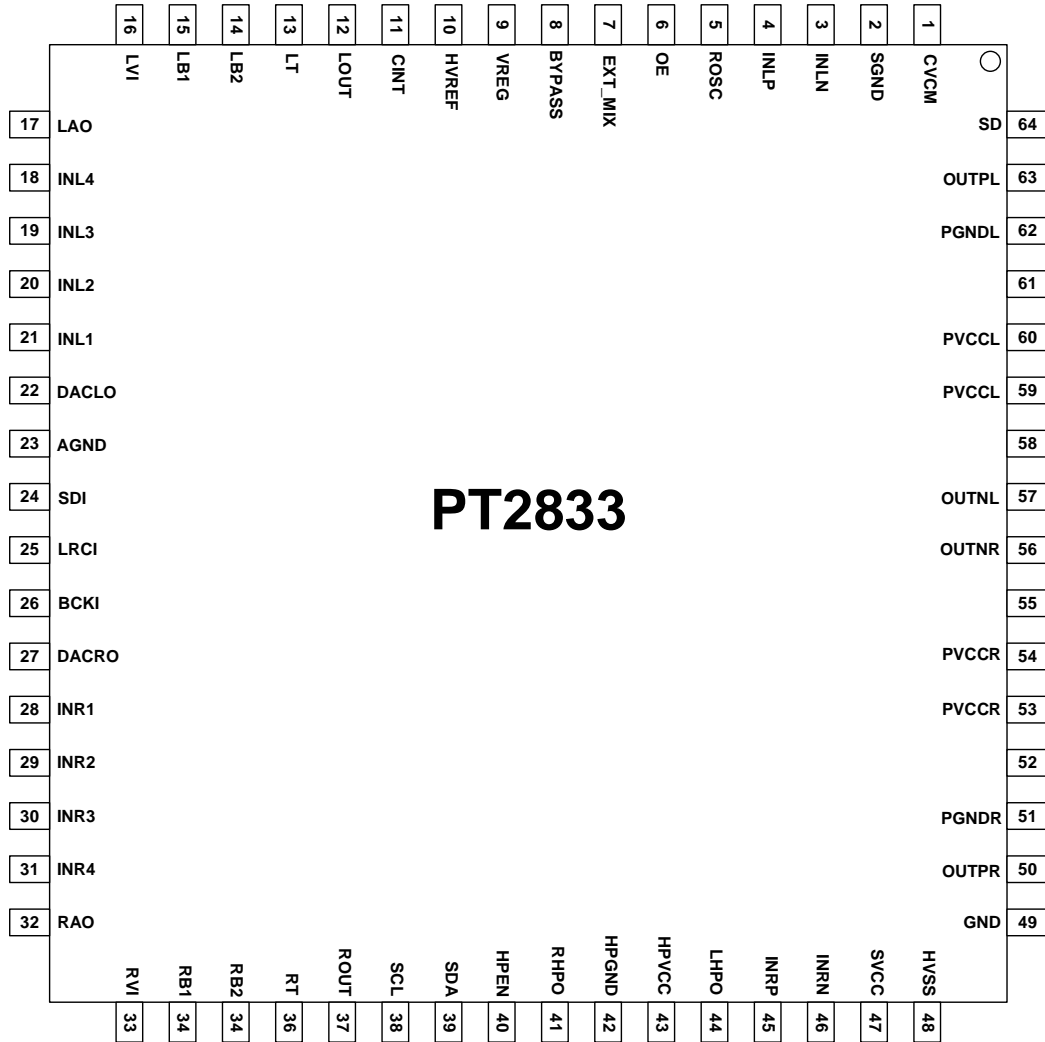
- Connect OUTPL and OUTNL together for the positive speaker terminal and OUTNR and OUTPR together for the negative terminal.



## ORDER INFORMATION

Valid Part Number	Package Type	Top Code
PT2833-TQ	64 Pins, E-TQFP	PT2833-TQ

## PIN CONFIGURATION



## **IMPORTANT NOTICE**

Princeton Technology Corporation (PTC) reserves the right to make corrections, modifications, enhancements, improvements, and other changes to its products and to discontinue any product without notice at any time.

PTC cannot assume responsibility for use of any circuitry other than circuitry entirely embodied in a PTC product. No circuit patent licenses are implied.

Princeton Technology Corp.  
2F, 233-1, Baociao Road,  
Sindian Dist., New Taipei City 23145, Taiwan  
Tel : 886-2-66296288  
Fax: 886-2-29174598  
<http://www.princeton.com.tw>