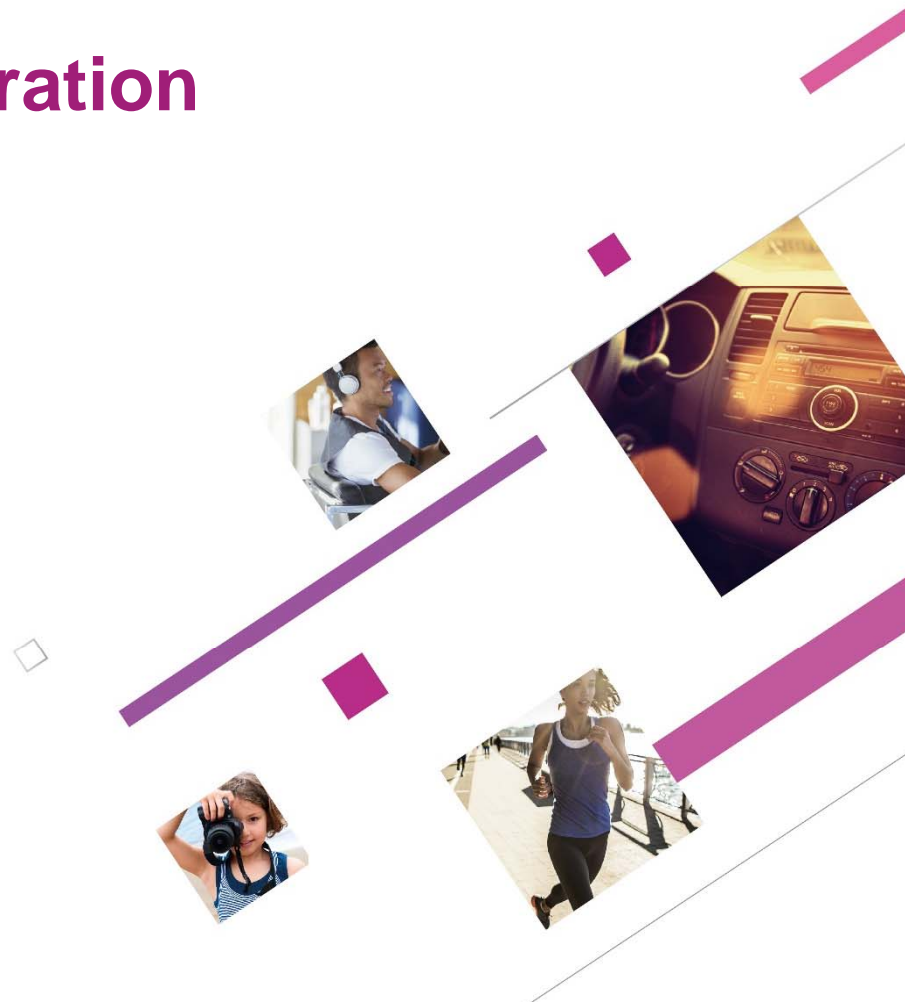
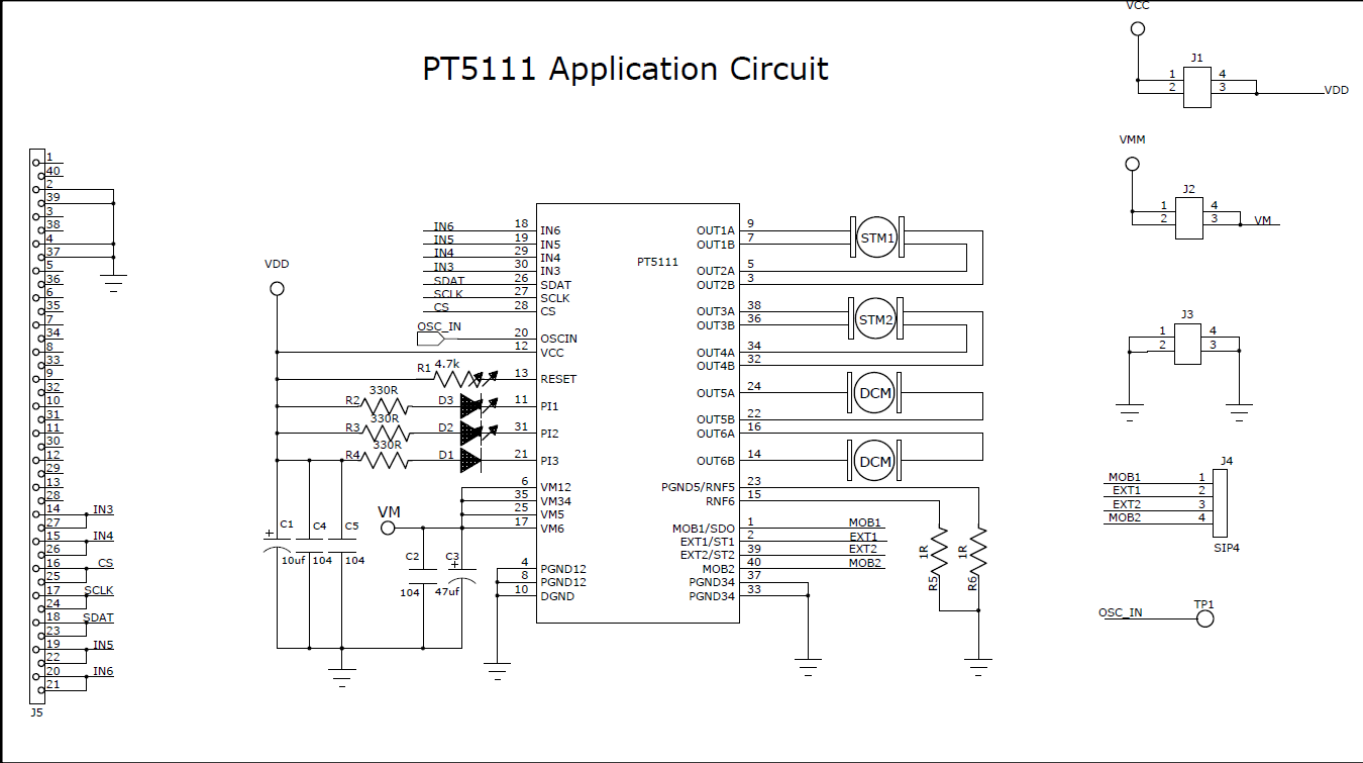


PT5111 Demo Board Operation

A Leader in Quality and Eco-Friendly IC Solutions for
Car and Consumer Electronics.



PT5111 Application Circuit



PT5111 EV Board I/O Port Description

