

DESCRIPTION

The PT5139 is a dual H-bridge motor driver which can drive two brushed DC motors or a single bipolar stepper motor, solenoids or other inductive loads. Each bridge driver includes a PWM current regulation circuitry to limit the winding current. The H-bridge driver consists of all of N-channel MOSFETs.

The device has built-in protection features, including under-voltage lockout (UVLO), over current protection (OCP) and thermal shutdown (TSD). A fault flag output is available to indicate the OCP or TSD conditions when they happen.

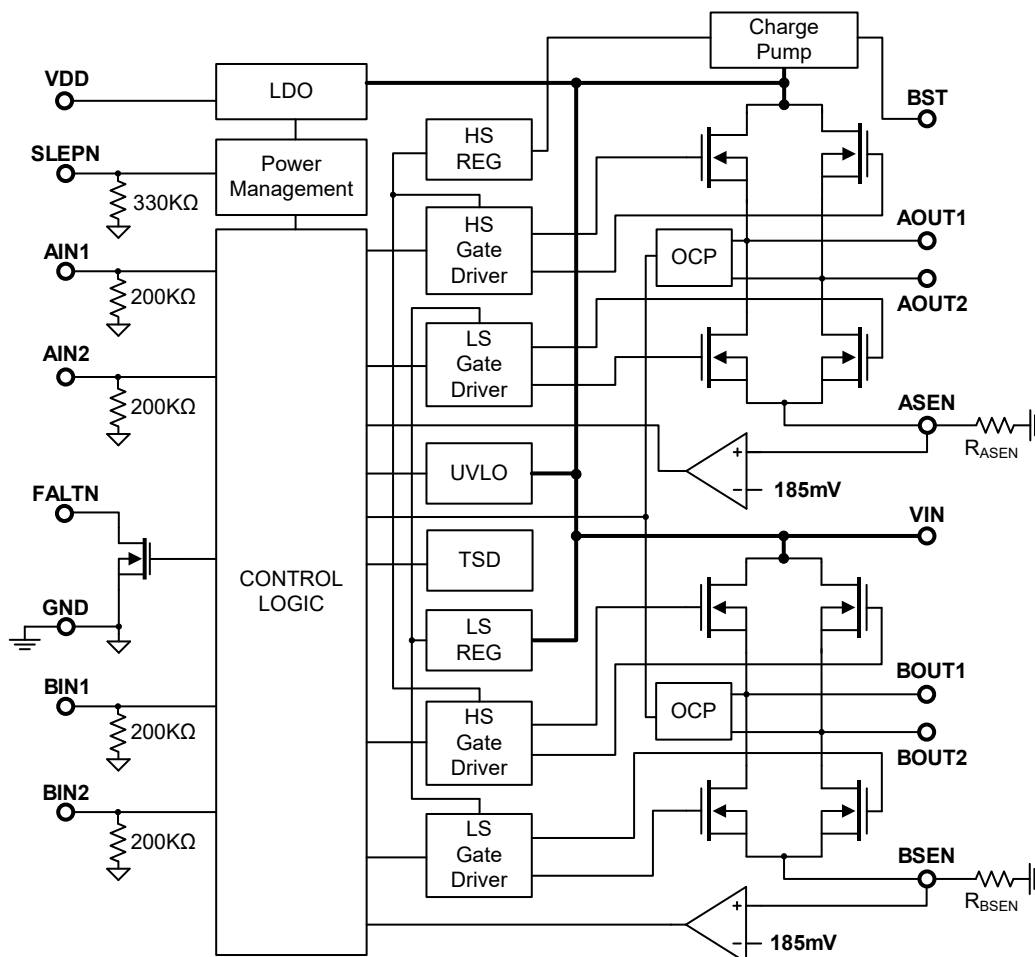
APPLICATIONS

- POS Printers
- Video Security Camera
- Robotics
- Battery Powered Toys

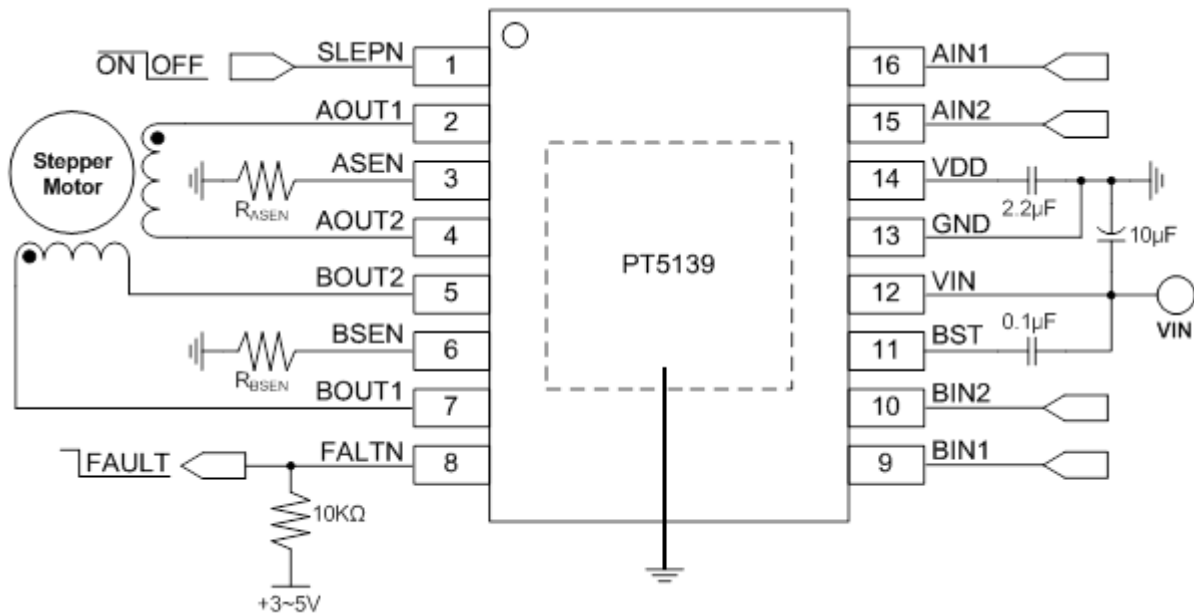
FEATURES

- Wide Supply Voltage Range: 2.7V to 15V
- Dual H-bridge Drivers, drive two brushed dc motor or single bipolar stepping motor
- MOSFET RDS(on) Resistance HS + LS = 1060mΩ
- Output Current : 700mA (HTSSOP package)
- Internal PWM Current Regulation Function
- Low Quiescent Current : 1.5mA
- Low Sleep Current: <1μA
- Built-in Protection Circuits; Thermal Shutdown (TSD), Under Voltage Lock-Out (UVLO) and Over Current Protection (OCP) functions.
- Fault Indicates Output (FALTN)
- Multiple Packages Available:
 - 16 pins QFN, 4.0mm × 4.0mm with thermal pad.
 - 16 pins HTSSOP, 5.0mm × 6.4mm with thermal pad.
 - 16 pins TSSOP, 5.0mm × 6.4mm

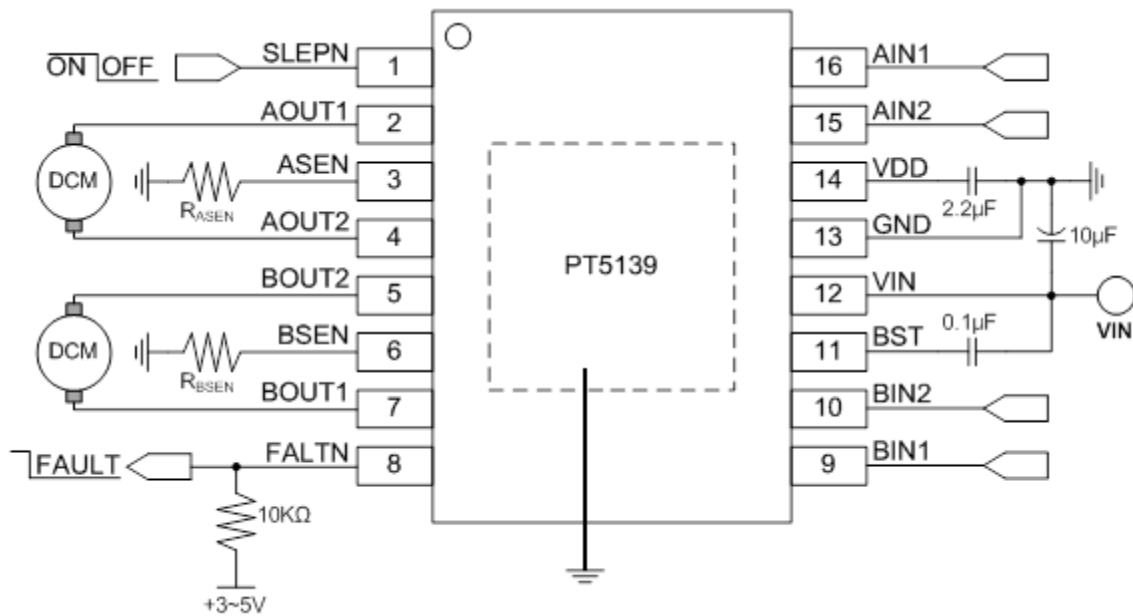
BLOCK DIAGRAM



APPLICATION CIRCUIT



Drives a bipolar stepping motor



Drives two brushed DC motors

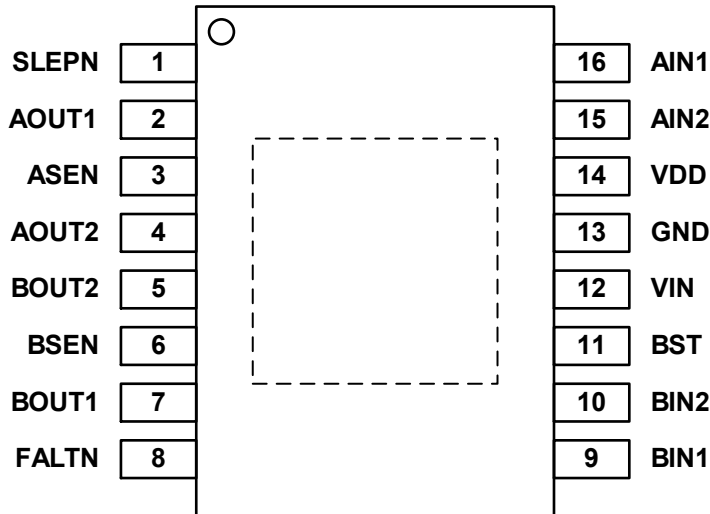
ORDER INFORMATION

Part Number	Package Type	Top Code
PT5139-HT	16-Pin, HTSSOP, 5.0mm × 6.4mm	PT5139-HT
PT5139-TX	16-Pin, TSSOP, 5.0mm × 6.4mm	PT5139-TX
PT5139	16-Pin, QFN, 4.0mm × 4.0mm	PT5139

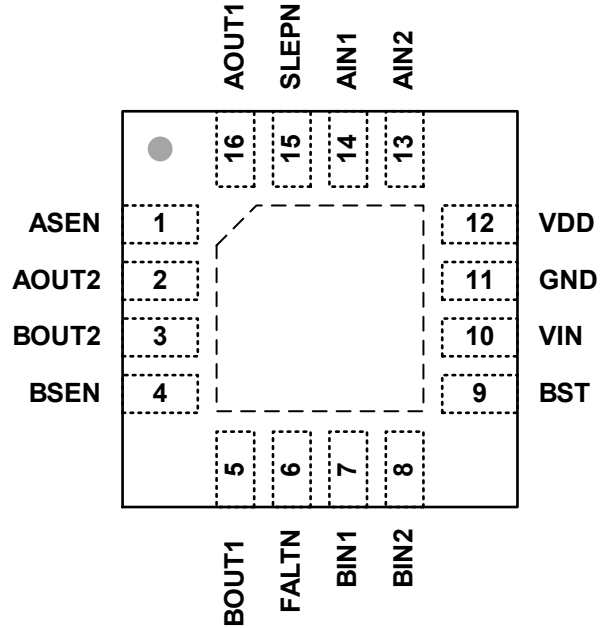
PIN CONFIGURATION

Top View

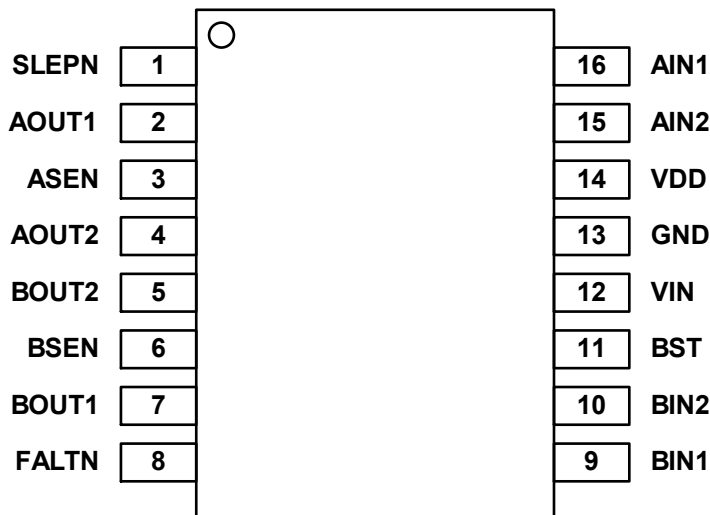
PT5139, HTSSOP



PT5139, QFN, 4mm x 4mm



PT5139, TSSOP



The exposed thermal pad should be connected to GND.

PIN DESCRIPTION

Pin Name	I/O	Description	Pin No.		
			QFN-16, 4x4	HTSSOP-16	TSSOP-16
ASEN	I/O	H-bridge driver A channel current sense, connects a current sensor resistor to GND.	1	3	3
AOUT2	O	H-bridge driver A channel output 2.	2	4	4
BOUT2	O	H-bridge driver B channel output 2.	3	5	5
BSEN	I/O	H-bridge driver B channel current sense, connects a current sensor resistor to GND.	4	6	6
BOUT1	O	H-bridge driver B channel output 1.	5	7	7
FALTN	OD	Fault, Logic low when fault condition appear (OCP, OTP)	6	8	8
BIN1	I	H-bridge driver B channel input 1, internal 200K Ω pull down resistor to GND.	7	9	9
BIN2	I	H-bridge driver B channel input 2, internal 200K Ω pull down resistor to GND.	8	10	10
BST	Power	Charge pump output, connects a 0.01 μ F ~ 0.1 μ F ceramic capacitor to VIN.	9	11	11
VIN	Power	Device power supply input, connects a 10 μ F (at least) bypass capacitor to GND is recommended.	10	12	12
GND	GND	Device ground. The GND pin and thermal pad both must be connected to ground.	11	13	13
VDD	Power	Bypassing pin for Internal LDO output; connects a 2.2 μ F capacitor to GND. Do not connect any external load to VDD pin.	12	14	14
AIN2	I	H-bridge driver A channel input 2, internal 200K Ω pull down resistor to GND.	13	15	15
AIN1	I	H-bridge driver A channel input 1, internal 200K Ω pull down resistor to GND.	14	16	16
SLEPN	I	Sleep mode input, with internal 330K Ω pull down resistor to GND. H=device enable, L=low-power sleep mode,	15	1	1
AOUT1	O	H-bridge driver A channel output 1.	16	2	2
PGND	GND	Connect to GND.	Thermal Pad	Thermal Pad	-

IMPORTANT NOTICE

Princeton Technology Corporation (PTC) reserves the right to make corrections, modifications, enhancements, improvements, and other changes to its products and to discontinue any product without notice at any time.

PTC cannot assume responsibility for use of any circuitry other than circuitry entirely embodied in a PTC product. No circuit patent licenses are implied.

Princeton Technology Corp.
2F, 233-1, Baociao Road,
Sindian Dist., New Taipei City 23145, Taiwan
Tel: 886-2-66296288
Fax: 886-2-29174598
<http://www.princeton.com.tw>