

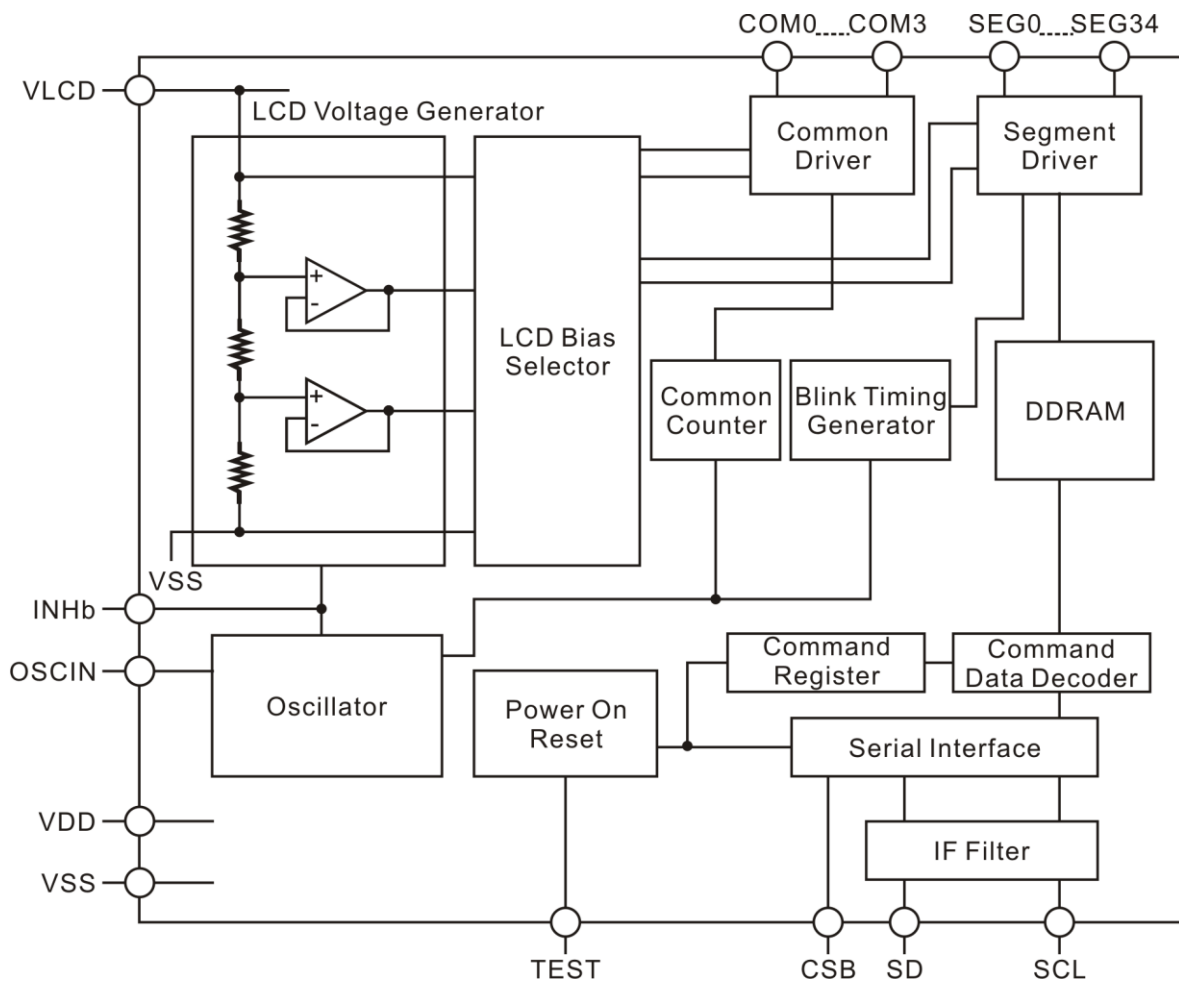
DESCRIPTION

PT6592 is an LCD segment driver 140 segment (SEG35 x COM4).

FEATURES

- 3-wire serial interface
- Integrated RAM for display data (DDRAM): 35 x 4 bits (Max. 140 Segment)
- LCD driving port: 4 Common output Segment: 35 output
- Integrated Buffer AMP for LCD driving power supply
- Display Duty 1/4
- 1/2 bias, 1/3 bias selectable
- No external components
- Low power/ Ultra low power consumption design
- Operating power supply: 1.8 ~ 3.6V
- LCD driver power supply: 2.7 ~ 5.5V
- Package: 48-pin, LQFP

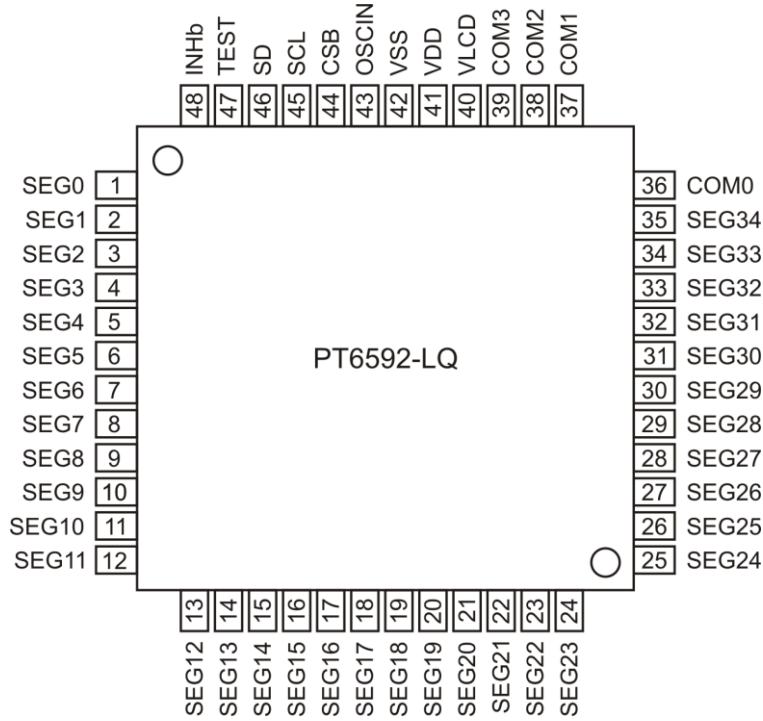
BLOCK DIAGRAM



ORDER INFORMATION

Valid Part Number	Package Type	Top Code
PT6592-LQ	48 Pins, LQFP	PT6592-LQ

PIN CONFIGURATION



PIN DESCRIPTION

Pin Name	I/O	Description	Pin No
SEG0 ~ SEG34	O	Segment output for LCD driver	1 ~ 35
COM0 ~ 3	O	Common output for LCD driver	36 ~ 39
VLCD	-	Power supply for LCD driver	40
VDD	-	Power supply	41
VSS	-	Ground pin	42
OSCIN	I	External clock input External clock and Internal clock can be selected by command. Must be connect to VSS when use internal oscillation circuit.	43
CSB	I	Chip select: "L" active	44
SCL	I	Serial data transfer clock	45
SD	I	Serial data input	46
TEST	I	Test input (Testing Use) Must be connect to VSS	47
INHb	I	Input terminal for turn off display H: turn on display L: turn off display	48

IMPORTANT NOTICE

Princeton Technology Corporation (PTC) reserves the right to make corrections, modifications, enhancements, improvements, and other changes to its products and to discontinue any product without notice at any time.

PTC cannot assume responsibility for use of any circuitry other than circuitry entirely embodied in a PTC product. No circuit patent licenses are implied.

Princeton Technology Corp.
2F, 233-1, Baociao Road,
Sindian Dist., New Taipei City 23145, Taiwan
Tel: 886-2-66296288
Fax: 886-2-29174598
<http://www.princeton.com.tw>